



**IMPORFERRI**  
IMPORTADORA FERRETERA INDUSTRIAL

01

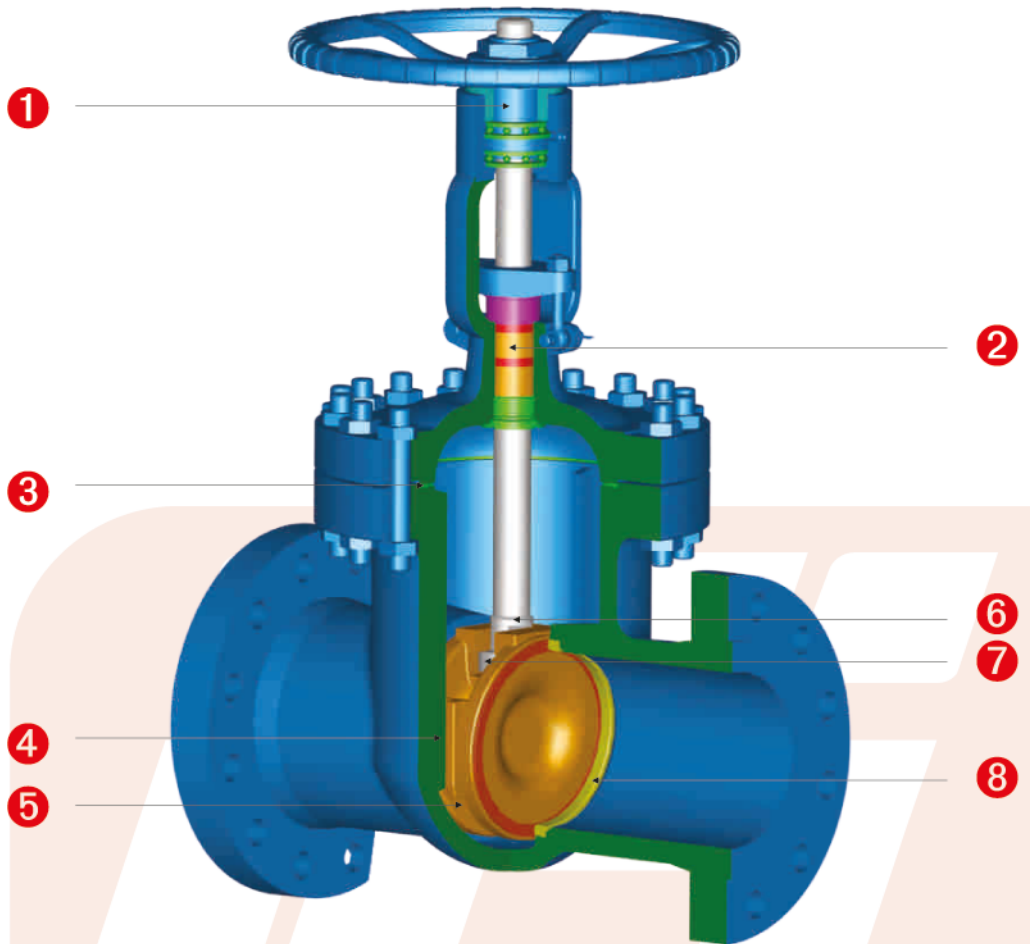
# VÁLVULA DE COMPUERTA

BRIDADA





**GATE VALVE - VÁLVULA DE COMPUERTA**



- 1 La tuerca de vástago de rosca larga prolonga la vida útil de la rosca y permite extraer el volante cuando está en la posición completamente abierta.
- 2 En las válvulas de compuerta de clase 300 y superiores se utiliza un anillo espaciador junto con una empaquetadura, mientras que las válvulas de clase 150 solo llevan empaquetadura; la empaquetadura con anillo tipo linterna está disponible a petición del cliente.
- 3 Junta de grafito flexible para válvulas de compuerta de clase 150, junta espiral para válvulas de clase 300 y 600, y junta de anillo metálico para válvulas de compuerta de clase 900 o superior (la clase 600 está disponible si el cliente la requiere).
- 4 La guía integrada en el cuerpo mantiene la cuña autocentrada durante la apertura y el cierre de la válvula.
- 5 La cuña flexible es capaz de compensar la distorsión de la superficie del asiento y la deformación del cuerpo causadas por la tensión de las tuberías.
- 6 Diseño de retención de reventones: la cara cónica del asiento trasero entra en contacto firme con el asiento trasero del capó.
- 7 La resistencia de la conexión entre la tapa y la cuña supera la de la raíz de la rosca de la tapa.
- 8 Los asientos soldados con junta renovable y estelita 6 son de diseño estándar, mientras que los asientos atornillados son opcionales.



## Material list

Part	Standard	Low Temperature Service	Stainless Steel	High Temperature Service	Sour Service
BODY	ASTM A216-WCB	ASTM A352-LCC	ASTM A351-CF8M	ASTM A217-WC9	ASTM A216-WCB
BONNET	ASTM A216-WCB	ASTM A352-LCC	ASTM A351-CF8M	ASTM A217-WC9	ASTM A216-WCB
WEDGE	ASTM A216-WCB/CR13 OVERLAY ASTM A217-CA15(10" & smaller)	ASTM A352-LCC/316 OVERLAY	ASTM A351-CF8M	ASTM A217-WC9/STL OVERLAY	ASTM A216-WCB/CR13 OVERLAY-NC ASTM A217-CA15(10" & smaller)-NC
STEM NUT	ASTM A439 D-2	ASTM A439 D-2	ASTM A439 D-2	ASTM A439 D-2	ASTM A439 D-2
GLAND FLANGE	ASTM A216-WCB	ASTM A352-LCB	ASTM A351-CF8	ASTM A216-WCB	ASTM A216-WCB
HANDWHEEL	DUCTILE IRON	DUCTILE IRON	DUCTILE IRON	DUCTILE IRON	DUCTILE IRON
SEAT RING	ASTM A105/STL OVERLAY	ASTM A182-F316/STL OVERLAY	ASTM A182-F316/STL OVERLAY	ASTM A182-F22/STL OVERLAY	ASTM A105/STL OVERLAY
STEM	ASTM A182-F6a	ASTM A182-F316	ASTM A182-F316	ASTM A182-F6a	ASTM A182-F6a-NC
BACK SEAT	ASTM A276-420	ASTM A276-316	ASTM A276-316	ASTM A276-420	ASTM A276-420-NC
GLAND	ASTM A276-420	STAINLESS STEEL	ASTM A276-316	ASTM A276-420	ASTM A276-420-NC
GASKET	SPIRAL WOUND GRAPHITE	SPIRAL WOUND GRAPHITE	SPIRAL WOUND GRAPHITE	SPIRAL WOUND GRAPHITE	SPIRAL WOUND GRAPHITE
MIDDLE PACKING	GRAPHITE	GRAPHITE	GRAPHITE	GRAPHITE	GRAPHITE
TOP/BOTTOM PACKING	316+GRAPHITE	316+GRAPHITE	316+GRAPHITE	316+GRAPHITE	316+GRAPHITE
RETAINING NUT	CARBON STEEL	CARBON STEEL	STAINLESS STEEL	CARBON STEEL	CARBON STEEL
HANDWHEEL NUT	CARBON STEEL	CARBON STEEL	STAINLESS STEEL	CARBON STEEL	CARBON STEEL
BONNET STUD	ASTM A193-B7	ASTM A320-L7M	ASTM A193-B8 Class 2	ASTM A193-B16	ASTM A193-B7M
BONNET NUT	ASTM A194-2H	ASTM A194-7M	ASTM A194-8	ASTM A194-7	ASTM A194-2HM
EYE BOLT	ASTM A193-B7	ASTM A320-L7M	ASTM A193-B8	ASTM A193-B16	ASTM A193-B7M
GLAND NUT	ASTM A194-2H	ASTM A194-7M	ASTM A194-8	ASTM A194-7	ASTM A194-2HM
GREASE FITTING	CARBON STEEL	CARBON STEEL	STAINLESS STEEL	CARBON STEEL	CARBON STEEL
EYE BOLT PIN	CARBON STEEL	STAINLESS STEEL	STAINLESS STEEL	STAINLESS STEEL	CARBON STEEL
RIVET	CARBON STEEL	CARBON STEEL	STAINLESS STEEL	CARBON STEEL	CARBON STEEL
NAME PLATE	STAINLESS STEEL	STAINLESS STEEL	STAINLESS STEEL	STAINLESS STEEL	STAINLESS STEEL

✉ [ventas@imporferri.com](mailto:ventas@imporferri.com) ☎ +593 98 903 6764 📍 Lotización Puertas de Alcalá, Pasaje S/N, Lote 1, La Planicie - San José de Morán, Quito-Ecuador

Aseguramos tu inversión garantizando que tus materiales cumplan con las certificaciones internacionales de calidad. Todos nuestros materiales incluyen certificado de calidad.



**Dimension & Weight**

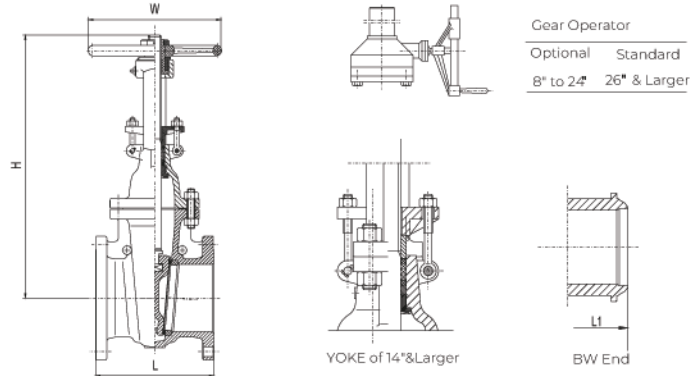
**Class 150**

API 600 Design,  
 Bolted Bonnet, OS&Y,  
 Screwed-in Back seat, Rising Stem,  
 Non-rising Handwheel,  
 Flexible Wedge

Figure NO.:

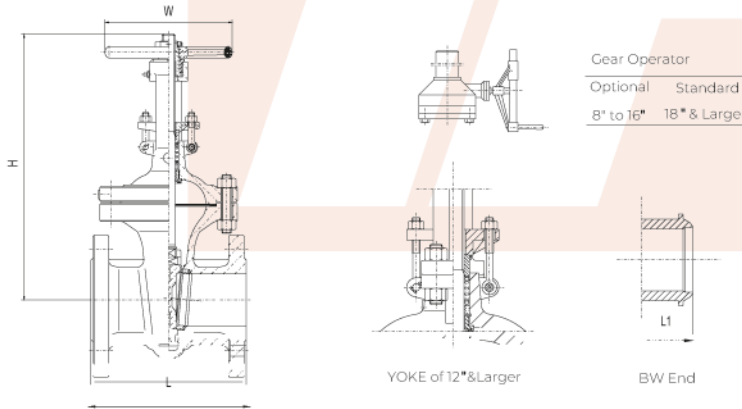
G1R,WCB/NO.8  
 G1B,WCB/NO.8

**Cast Carbon Steel Gate Valve**



NPS	in	2"	2-1/2"	3"	4"	5"	6"	8"	10"	12"	14"	16"	18"	20"	24"	26"	28"	30"	32"	36"	40"	42"	48"
DN	mm	50	65	80	100	125	150	200	250	300	350	400	450	500	600	650	700	750	800	900	1000	1050	1200
L(RF)	in	7	7.5	8	9	10	10.5	11.5	13	14	15	16	17	18	20	22	24	24	26	28	30	31	34
	mm	178	191	203	229	254	267	292	330	356	381	406	432	457	508	559	610	610	660	711	762	787	864
LT(BW)	in	8.5	9.5	11.12	12	15	15.88	16.5	18	19.75	22.5	24	26	28	32	34	36	36	38	40	42	43	46
	mm	216	241	283	305	381	403	419	457	502	572	610	660	711	813	864	914	914	965	1016	1067	1092	1168
W	in	8	8	10	12	12	12	14	16	18	20	22	24	27	30	24	24	24	24	24	24	32	32
	mm	200	200	250	300	300	300	350	400	450	500	550	600	680	760	610	610	610	610	610	610	610	610
H	in	15.2	17.1	18.9	23	26.8	30.1	37.6	45.2	53.2	59.4	67	74.5	83.4	98.4	110	117	124	129	146	157	190	233
	mm	386.5	434.5	480.5	584.5	681	765	956	1149	1350.5	1508	1703	1892	2119	2500	2806	2960	3148	3281	3721	3980	4820	5920
WT(RF)	Kg	19	26	35	49	64	81	127	204	291	400	486	610	788	1144	1570	1900	2540	2958	3380	4815	5300	7110
WT(BW)	Kg	15	18	26	41	58	69	108	156	248	365	482	587	752	1178	1521	1838	2261	2490	3310	4840	5275	7050

**Cast Carbon Steel Gate Valve**



**Class 300**

API 600 Design,  
 Bolted Bonnet, OS&Y,  
 Screwed-in Back seat, Rising Stem,  
 Non-rising Handwheel,  
 Flexible Wedge

Figure NO.:

G3R,WCB/NO.8  
 G3B,WCB/NO.8

NPS	in	2"	2-1/2"	3"	4"	5"	6"	8"	10"	12"	14"	16"	18"	20"	24"	26"	28"	30"	32"	36"	40"	42"	48"
DN	mm	50	65	80	100	125	150	200	250	300	350	400	450	500	600	650	700	750	800	900	1000	1050	1200
L-L1 (RF-BW)	in	8.5	9.5	11.12	12	15	15.88	16.5	18	19.75	30	33	36	39	45	49	53	55	60	68	76	78	88
	mm	216	241	283	305	381	403	419	457	502	762	838	914	991	1143	1245	1346	1397	1524	1727	1930	1981	2235
W	in	8	8	10	10	12	14	16	18	20	22	24	24	24	24	24	24	24	24	32	40	40	40
	mm	200	200	250	250	300	350	400	450	500	550	600	610	610	610	610	610	610	610	810	1000	1000	1000
H	in	16.1	17.8	20	24.1	26.4	31.7	39.4	47.6	55.7	62.3	67.9	77.1	86.4	102.3	117.6	122.8	126.2	145.4	161.6	179	186.6	211.5
	mm	410	453	509	612	670	805	1000	1209	1416	1582	1725	1959	2194	2598	2986	3120	3205	3692	4104	4547	4739	5373
WT (RF)	Kg	26	35	52	75	102	147	235	350	472	683	950	1145	1634	2660	3090	3312	3597	4850	6850	8460	9500	12400
WT(BW)	Kg	17	26	52	74	102	113	164	344	485	565	805	1058	1412	2304	2540	2725	3057	4122	4990	6160	6800	9000



**Dimension & Weight**

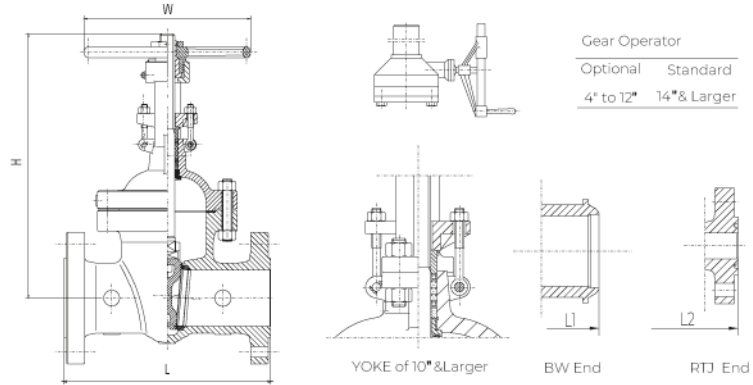
**Class 600**

API 600 Design,  
 Bolted Bonnet, OS&Y,  
 Screwed-in Back seat, Rising Stem,  
 Non-rising Handwheel,  
 Flexible Wedge

Figure NO.:

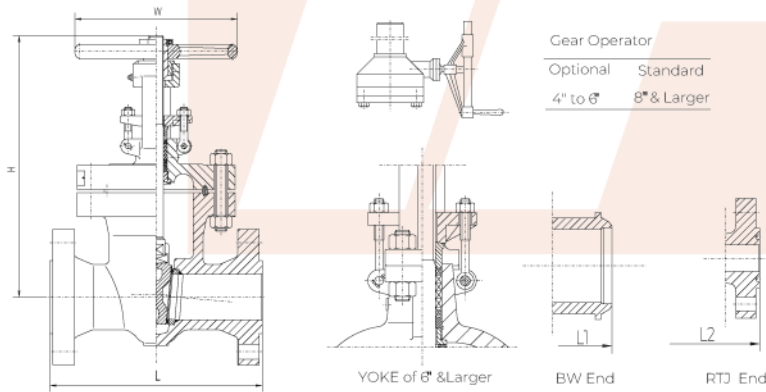
- G6R,WCB/NO.8
- G6J,WCB/NO.8
- G6B,WCB/NO.8

**Cast Carbon Steel Gate Valve**



NPS	in	2"	2-1/2"	3"	4"	5"	6"	8"	10"	12"	14"	16"	18"	20"	24"	26"	28"	30"	32"	36"	40"	42"	48"
DN	mm	50	65	80	100	125	150	200	250	300	350	400	450	500	600	650	700	750	800	900	1000	1050	1200
L-L1 (RF-BW)	in	11.5	13	14	17	20	22	26	31	33	35	39	43	47	55	57	61	65	70	82	90	96	100
	mm	292	330	356	432	508	559	660	787	838	889	991	1092	1194	1397	1448	1549	1651	1778	2082	2286	2438	2540
L2(RTJ)	in	11.62	13.12	14.12	17.12	20.12	22.12	26.12	31.12	33.12	35.12	39.12	43.12	47.25	55.38	57.5	61.5	65.5	70.6	82.6	-	-	-
	mm	295	333	359	435	511	562	663	790	841	892	994	1095	1200	1407	1461	1562	1664	1794	2098	-	-	-
W	in	8	10	10	12	16	18	20	24	27	24	24	24	24	24	32	40	40	40	40	42	42	42
	mm	200	250	250	300	400	450	500	600	680	610	610	610	610	610	810	1000	1000	1000	1000	1200	1200	1200
H	in	16.5	18.7	20.4	25.4	30.3	33	40.3	48.4	57.1	62	70.7	76.02	86.9	102	124	133	140	150	168	184	194	231
	mm	418	476	518	646	770	839	1024	1229	1450	1574	1797	1931	2207	2582	3150	3362	3549	3811	4260	4670	4921	5876
WT(RF)	Kg	39	52	68	120	170	273	402	610	902	1245	1530	2030	2735	3620	5220	6050	6945	8312	10000	14300	16460	22900
WT(BW)	Kg	28	42	55	84	125	204	337	548	905	974	1345	1730	2415	3017	4295	4980	5710	6834	8220	11755	13530	18824

**Cast Carbon Steel Gate Valve**



**Class 900**

API 600 Design,  
 Bolted Bonnet, OS&Y,  
 Screwed-in Back seat, Rising Stem,  
 Non-rising Handwheel,  
 Flexible Wedge

Figure NO.:

- G9R,WCB/NO.5
- G9J,WCB/NO.5
- G9B,WCB/NO.5

NPS	in	2"	2-1/2"	3"	4"	6"	8"	10"	12"	14"	16"	18"	20"	24"	26"	28"	30"	32"	36"
DN	mm	50	65	80	100	150	200	250	300	350	400	45	500	600	650	700	750	800	900
L-L1 (RF-BW)	in	14.5	16.5	15	18	24	29	33	38	40.5	44.5	48	52	61	65	70	74	78	87
	mm	368	419	381	457	610	737	838	965	1029	1130	1219	1321	1549	1664	1778	1892	2004	2232
L2(RTJ)	in	14.62	16.62	15.12	18.12	24.12	29.12	33.12	38.12	40.88	44.88	48.50	52.48	61.73	-	-	-	-	-
	mm	371	422	384	460	613	740	841	968	1038	1140	1232	1333	1568	-	-	-	-	-
W	in	10	10	12	14	20	24	24	24	24	24	32	40	40	40	40	47	47	47
	mm	250	250	300	350	500	600	610	610	610	610	810	1000	1000	1000	1000	1200	1200	1200
H	in	19.6	21.5	22.6	26.7	35.4	43.4	53	59.8	74.9	80.7	87	95	108.4	111.5	114.8	118	121.4	128
	mm	498	547	573	678	900	1103	1345	1520	1902	2051	2212	2417	2750	2833	2916	3000	3083	3250
WT(RF)	Kg	74	92	101	172	335	640	1100	1360	2250	2850	3870	4860	6100	7300	7600	9800	11950	15000
WT(BW)	Kg	54	65	70	110	258	498	810	1228	2009	2563	3300	4050	6120	5500	6900	9000	11000	13500



**Dimension & Weight**

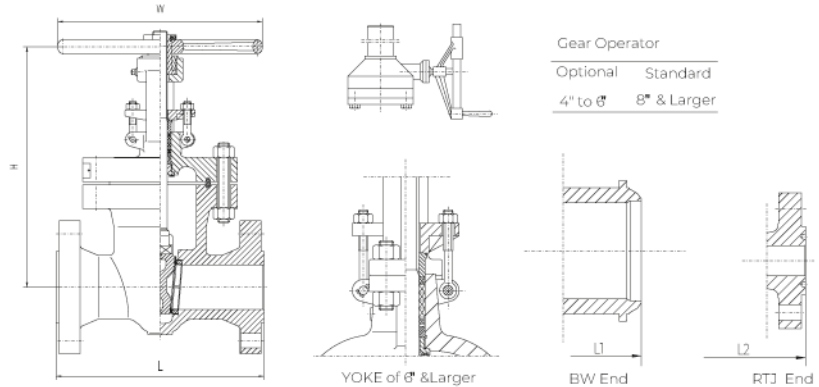
**Class 1500**

API 600 Design,  
Bolted Bonnet, OS&Y,  
Screwed-in Back seat, Rising Stem,  
Non-rising Handwheel,  
Flexible Wedge

Figure NO.:

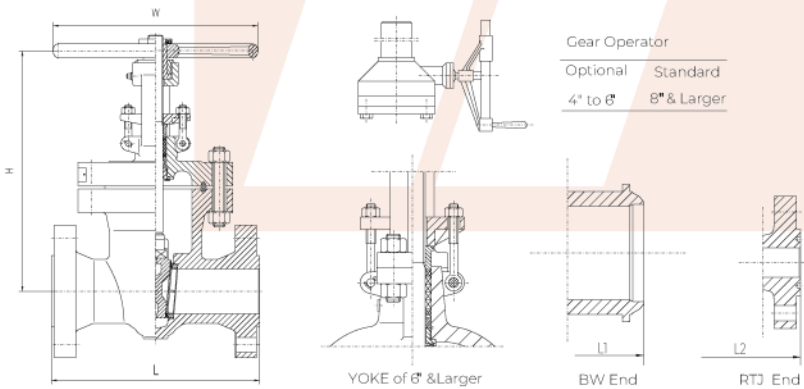
- G15R,WCB/NO.5
- G15J,WCB/NO.5
- G15B,WCB/NO.5

**Cast Carbon Steel Gate Valve**



NPS	in	2"	2-1/2"	3"	4"	6"	8"	10"	12"	14"	16"	18"	20"	24"	26"	28"	30"
DN	mm	50	65	80	100	150	200	250	300	350	400	450	500	600	650	700	750
L-L1 (RF-BW)	in	14.5	16.5	18.5	21.5	27.75	32.75	39	44.5	49.5	54.5	60.5	65.5	76.5	82	87.5	93
	mm	368	419	470	546	705	832	991	1130	1257	1384	1537	1664	1943	2083	2222.5	2362
L2(RTJ)	in	14.62	16.62	18.62	21.62	28.00	33.13	39.38	45.12	50.25	55.38	61.4	66.4	77.6	-	-	-
	mm	371	422	473	549	711	842	1000	1146	1276	1407	1559	1686	1972	-	-	-
W	in	10	12	14	20	24	18	18	24	24	24	40	40	40	47	47	47
	mm	250	300	350	500	600	458	458	610	610	610	1000	1000	1000	1200	1200	1200
H	in	19.2	22.5	23.7	27.6	38.7	45.1	54	64.3	70.8	77.3	111	121	140.5	151	158	172
	mm	487	572	603	700	984	1146	1371	1633	1798	1963	2812	3078	3570	3836	4012	4368
WT(RF)	Kg	74	131	165	248	510	1040	1910	2685	4100	6200	8100	11130	13300	16500	18700	20900
WT(BW)	Kg	54	105	129	197	358	761	1640	2755	3200	5300	7100	10100	12900	15700	17500	19300

**Cast Carbon Steel Gate Valve**



**Class 2500**

API 600 Design,  
Bolted Bonnet OS&Y,Rising Stem,  
Non-rising Handwheel,  
Flexible Wedge

Figure NO.:

- G25R,WCB/NO.5
- G25J,WCB/NO.5
- G25B,WCB/NO.5

NPS	in	2"	2-1/2"	3"	4"	6"	8"	10"	12"	14"	16"	18"	20"	24"
DN	mm	50	65	80	100	150	200	250	300	350	400	450	500	600
L-L1 (RF-BW)	in	17.75	20	22.75	26.5	36	40.25	50	56	62	68	74	80	92
	mm	451	508	578	673	914	1022	1270	1422	1575	1727	1879	2031	2335
L2(RTJ)	in	17.88	20.25	23.00	26.88	36.50	40.88	50.88	56.88	-	-	-	-	-
	mm	454	514	584	683	927	1038	1292	1445	-	-	-	-	-
W	in	14	18	18	20	24	24	24	24	32	32	40	40	40
	mm	350	450	450	500	610	610	610	610	810	810	1000	1000	1000
H	in	22.2	22.2	22.9	34.3	57.1	63.4	81.7	89.8	319.7	400	100.6	112.6	136.6
	mm	563	563	582	870	1450	1610	2076	2281	1945	2250	2555	2860	3470
WT(RF)	Kg	130	200	245	490	1600	2450	4570	6100	8120	10170	12100	14700	16500
WT(BW)	Kg	95	150	175	375	1310	2010	3800	5200	7510	9730	10900	12100	14700