



IMPORFERRI
IMPORTADORA FERRETERA INDUSTRIAL

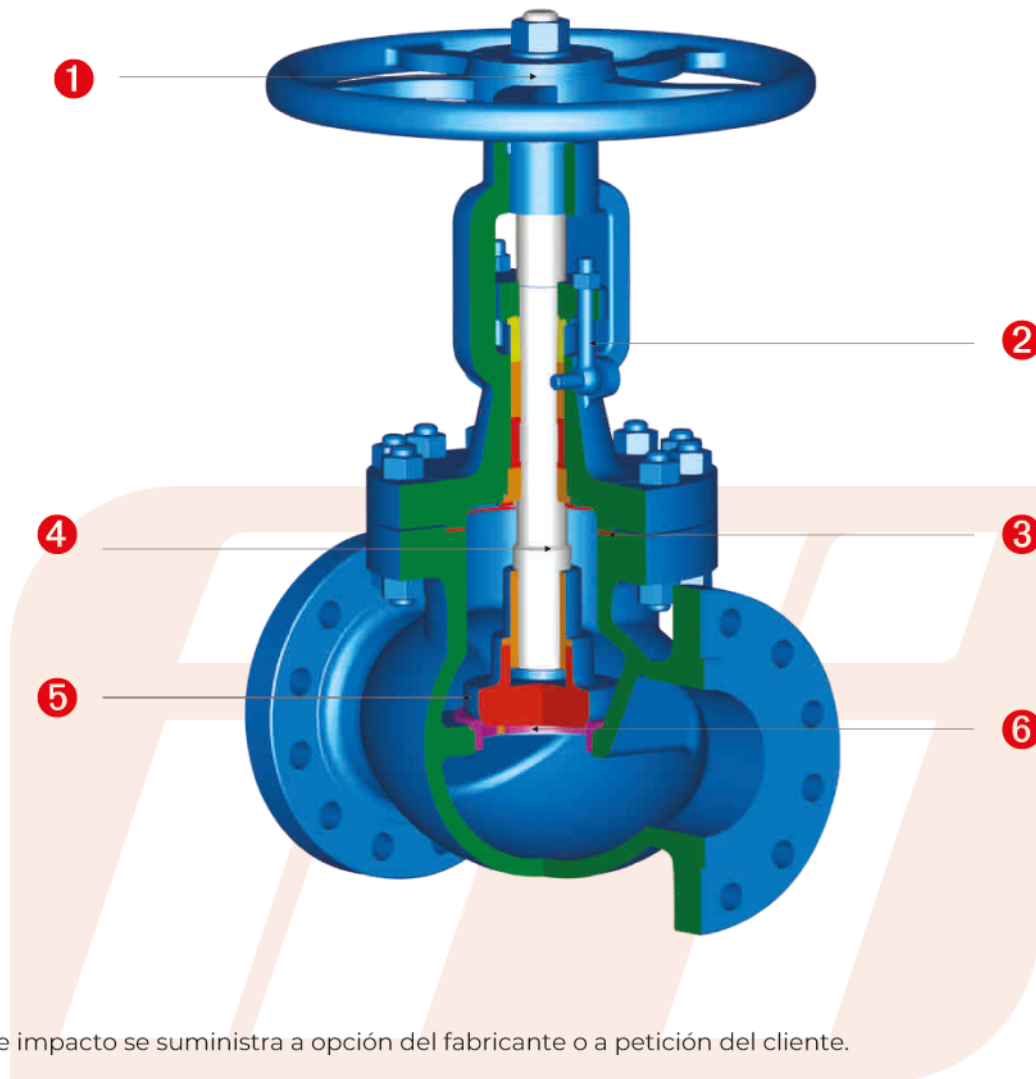
02

**VÁLVULA DE
GLOBO**
BRIDADA





GLOBE VALVE - VÁLVULA DE GLOBO



- 1 El volante de impacto se suministra a opción del fabricante o a petición del cliente.
- 2 Los cáncamos de la prensaestopas están montados para girar hacia un lado y facilitar así el mantenimiento del empaquetado.
- 3 Juntas de bonete macho y hembra para válvulas de clase 150 a 600, y junta de anillo para válvulas de clase 900 y superiores, o como opción para válvulas de clase 600 a petición del cliente.
- 4 Diseño de vástago antiexplosión con superficie de asiento trasero cónica para permitir el reempaquetado de la válvula en la posición completamente abierta.
- 5 La superficie de asiento del tapón tiene un diseño de disco estándar, aunque también se puede optar por una superficie de asiento esférica, parabólica o plana a petición del cliente.
- 6 El diseño estándar del asiento es de tipo estelite 6.



Material list

Part	Standard	Low Temperature Service	Stainless Steel	High Temperature Service	Sour Service
BODY	ASTM A216-WCB	ASTM A352-LCC	ASTM A351-CF8M	ASTM A217-WC9	ASTM A216-WCB
BONNET	ASTM A216-WCB	ASTM A352-LCC	ASTM A351-CF8M	ASTM A217-WC9	ASTM A216-WCB
DISC	ASTM A182-F6a ASTM A105/ER410 (FOR 4"&Larger)	ASTM A182-F316	ASTM A182-F316	ASTM A182-F22/STL.OVERLAY	ASTM A182-F6a-NC
STEM NUT	ASTM A439 D-2	ASTM A439 D-2	ASTM A439 D-2	ASTM A439 D-2	ASTM A439 D-2
GLAND FLANGE	ASTM A216-WCB	ASTM A352-LCB	ASTM A351-CF8	ASTM A216-WCB	ASTM A216-WCB
HANDWHEEL	DUCTILE IRON	DUCTILE IRON	DUCTILE IRON	DUCTILE IRON	DUCTILE IRON
IMPACT BLOCK	CARBON STEEL	CARBON STEEL	CARBON STEEL	CARBON STEEL	CARBON STEEL
RETAINER PLATE	CARBON STEEL	CARBON STEEL	CARBON STEEL	CARBON STEEL	CARBON STEEL
SEAT RING	ASTM A105/STL.OVERLAY	ASTM A182-F316/STL.OVERLAY	ASTM A182-F316/STL.OVERLAY	ASTM A182-F22/STL.OVERLAY	ASTM A105/STL.OVERLAY
STEM	ASTM A182-F6a	ASTM A182-F316	ASTM A182-F316	ASTM A182-F6a	ASTM A182-F6a-NC
BACK SEAT	ASTM A276-420	ASTM A276-316	ASTM A276-316	ASTM A276-420	ASTM A276-420-NC
GLAND	ASTM A276-420	STAINLESS STEEL	ASTM A276-316	ASTM A276-420	ASTM A276-420-NC
SPACE RING	ASTM A276-420	ASTM A276-316	ASTM A276-316	ASTM A276-420	ASTM A276-420-NC
DISC NUT	ASTM A276-420	ASTM A276-316	ASTM A276-316	ASTM A276-420	ASTM A276-420-NC
STEM WASHER	ASTM A276-430	N/A	N/A	ASTM A276-430	STAINLESS STEEL
HANDWHEEL WASHER	CARBON STEEL	CARBON STEEL	STAINLESS STEEL	CARBON STEEL	CARBON STEEL
BONNET GASKET	SOFT STEEL	ASTM A276-316	ASTM A276-316	SOFT STEEL	SOFT STEEL
PACKING	316+GRAPHITE	316+GRAPHITE	316+GRAPHITE	316+GRAPHITE	316+GRAPHITE
PACKING	GRAPHITE	GRAPHITE	GRAPHITE	GRAPHITE	GRAPHITE
BONNET STUD	ASTM A193-B7	ASTM A320-L7M	ASTM A193-B8 Class 2	ASTM A193-B16	ASTM A193-B7M
BONNET NUT	ASTM A194-2H	ASTM A194-7M	ASTM A194-8	ASTM A194-7	ASTM A194-2HM
EYE BOLT	ASTM A193-B7	ASTM A320-L7M	ASTM A193-B8	ASTM A193-B16	ASTM A193-B7M
GLAND NUT	ASTM A194-2H	ASTM A194-7M	ASTM A194-8	ASTM A194-7	ASTM A194-2HM
HANDWHEEL NUT	CARBON STEEL	CARBON STEEL	STAINLESS STEEL	CARBON STEEL	CARBON STEEL
EYE BOLT PIN	CARBON STEEL	STAINLESS STEEL	STAINLESS STEEL	STAINLESS STEEL	CARBON STEEL
RIVET	CARBON STEEL	CARBON STEEL	STAINLESS STEEL	CARBON STEEL	CARBON STEEL
NAME PLATE	STAINLESS STEEL	STAINLESS STEEL	STAINLESS STEEL	STAINLESS STEEL	STAINLESS STEEL

✉ ventas@imporferri.com ☎ +593 98 903 6764 📍 Lotización Puertas de Alcalá, Pasaje S/N, Lote 1, La Planicie - San José de Morán, Quito-Ecuador

Aseguramos tu inversión garantizando que tus materiales cumplan con las certificaciones internacionales de calidad. Todos nuestros materiales incluyen certificado de calidad.

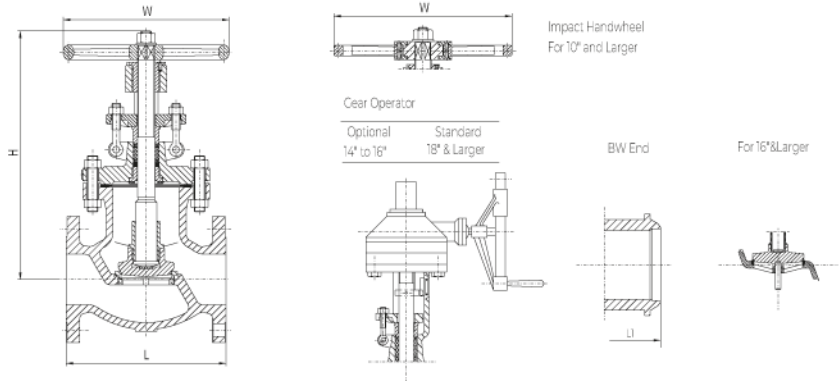


Dimension & Weight

Class 150

BS 1873 Design,
 Bolted Bonnet, OS&Y,
 Screwed-in Back Seat,
 Rising Stem and Handwheel,
 Swivel Disc

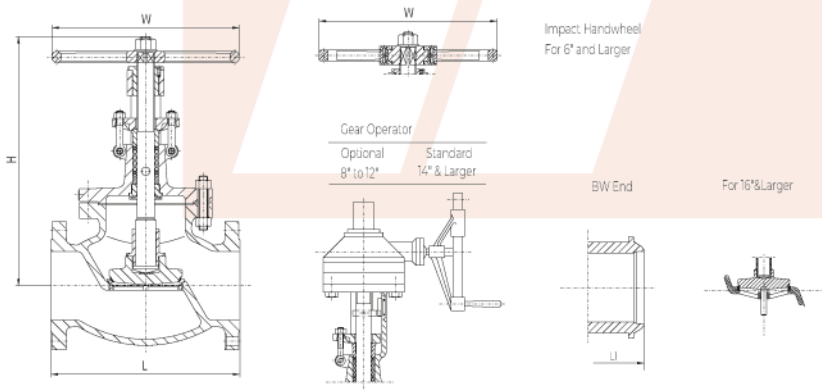
Cast Carbon Steel Globe Valve



NPS	in	2"	2-1/2"	3"	4"	5"	6"	8"	10"	12"	14"	16"	18"	20"	24"
DN	mm	50	65	80	100	125	150	200	250	300	350	400	450	500	600
L-L1 (RF-BW)	in	8	8.5	9.5	11.5	14	16	19.5	24.5	27.5	31	36	38.5	38.5	51
	mm	203	216	241	292	356	406	495	622	699	787	914	978	978	1295
W	in	8	10	10	12	14	14	16	20	20	22	26	24	24	31.9
	mm	200	250	250	300	350	350	400	500	500	560	650	610	610	810
H	in	13.3	14.7	15.6	18.7	19.6	20.6	23.1	29.1	33.9	37.4	39.2	44.9	49.7	60
	mm	338	373	396	476	497	524	588	738	862	950	994	1140	1262	1524
WT(RF)	Kg	21	29	35	58	78	104	162	289	485	550	724	1400	2600	3700
WT(BW)	Kg	17	20	30	47	71	86	138	219	362	491	650	1250	2300	3250

Cast Carbon Steel Globe Valve

Class 300



BS 1873 Design,
 Bolted Bonnet, OS&Y,
 Screwed-in Back Seat,
 Rising Stem and Handwheel,
 Swivel Disc

NPS	in	2"	2-1/2"	3"	4"	5"	6"	8"	10"	12"	14"	16"	18"	20"
DN	mm	50	65	80	100	125	150	200	250	300	350	400	450	500
L-L1 (RF-BW)	in	10.5	11.5	12.5	14	15.75	17.5	22	24.5	28	33	34	38.5	40
	mm	267	292	318	356	400	445	559	622	711	838	864	978	1016
W	in	8	10	10	14	18	20	22	24	26	24	24	38.5	40
	mm	200	250	250	350	450	500	560	600	650	610	610	610	810
H	in	13.9	15.3	16.6	19.5	22.7	26.6	35.9	37.4	40.6	44.5	51.6	57.5	64.3
	mm	353.5	388.5	420.5	495.5	576.5	674.5	911.5	949	1032	1130	1310	1460	1632
WT (RF)	Kg	26	38	51	76	125	173	297	500	724	1125	1650	2700	3650
WT (BW)	Kg	21	29	38	59	104	137	237	432	632	975	1450	2400	3200

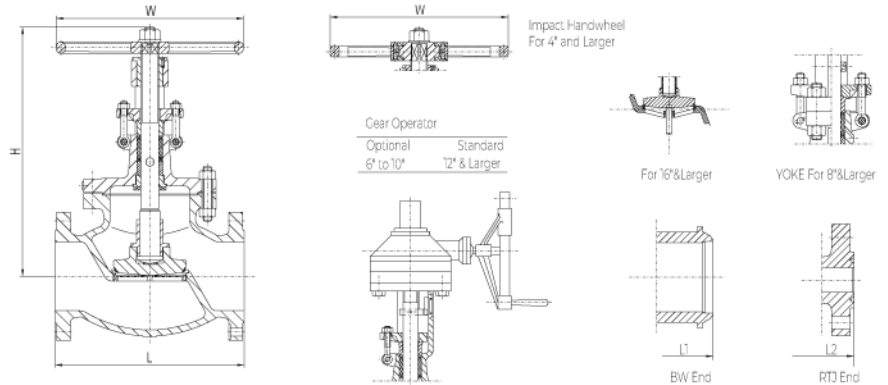


Dimension & Weight

Class 600

BS 1873 Design,
Bolted Bonnet, OS&Y,
Screwed-in Back Seat,
Rising Stem and Handwheel,
Swivel Disc

Cast Carbon Steel Globe Valve

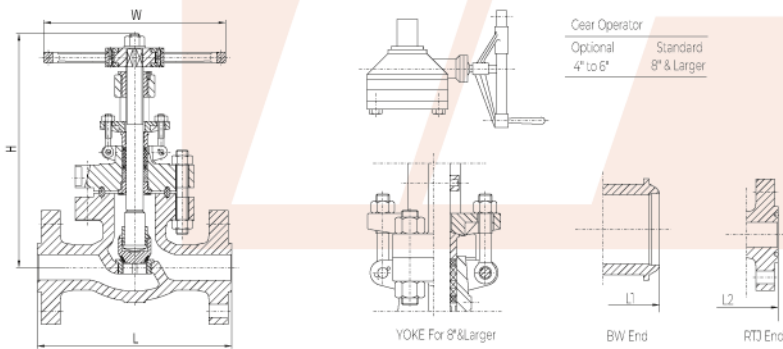


NPS	in	2"	2-1/2"	3"	4"	5"	6"	8"	10"	12"	14"	16"	18"
DN	mm	50	65	80	100	125	150	200	250	300	503	400	450
L-L1(RF-BW)	in	11.5	13	14	17	20	22	26	31	33	35	39	43
	mm	292	330	356	432	508	559	660	787	838	889	991	1092
L2(RTJ)	in	11.62	13.12	14.12	17.12	20.12	22.12	26.12	31.12	33.12	35.12	39.12	43.1
	mm	295	333	359	435	511	562	663	790	841	892	994	1095
W	in	10	10	14	18	20	22	24	28	24	24	30	32
	mm	250	250	350	450	500	560	600	700	610	610	762	810
H	in	15.6	17.6	19.5	23.6	27.6	31.1	39.9	46.5	55	57.1	63.4	70.9
	mm	396.5	446	495.5	599	700	791	1014	1180	1397	1450	1610	1801
WT(RF)	Kg	37	50	62	150	187	294	543	1006	1350	1620	2160	3300
WT(BW)	Kg	30	40	58	132	142	227	460	729	1060	1330	1750	2800

Cast Carbon Steel Globe Valve

Class 900

BS 1873 Design,
Bolted Bonnet, OS&Y,
Screwed-in Back Seat,
Rising Stem and Handwheel,
Swivel Disc



NPS	in	2"	2-1/2"	3"	4"	6"	8"	10"	12"	14"	16"
DN	mm	50	65	80	100	150	200	250	300	350	400
L-L1 (RF-BW)	in	14.5	16.5	15	18	24	29	33	38	40.5	44.5
	mm	368	419	381	457	610	737	838	965	1029	1130
L2 (RTJ)	in	14.62	16.62	15.12	18.12	24.12	29.12	33.1	38.1	40.9	44.9
	mm	371	422	384	460	613	740	841	968	1038	1140
W	in	14	14	18	20	24	24	24	31.9	31.9	31.9
	mm	350	350	450	500	610	610	610	810	810	810
H	in	23.2	26	27.5	31.3	43.6	46.6	58.2	69.1	76.1	87
	mm	590	660	699	795	1108	1184	1479	1755	1934	2210
WT(RF)	Kg	95	138	110	197	435	720	1070	1920	2670	3520
WT(BW)	Kg	75	85	112	158	360	597	890	1690	2390	3170

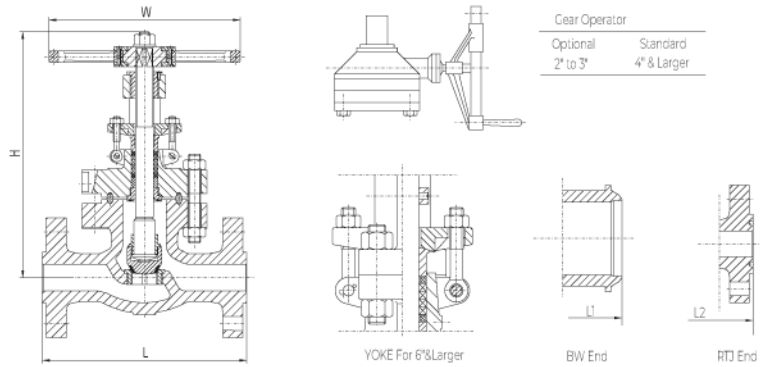


Dimension & Weight

Class 1500

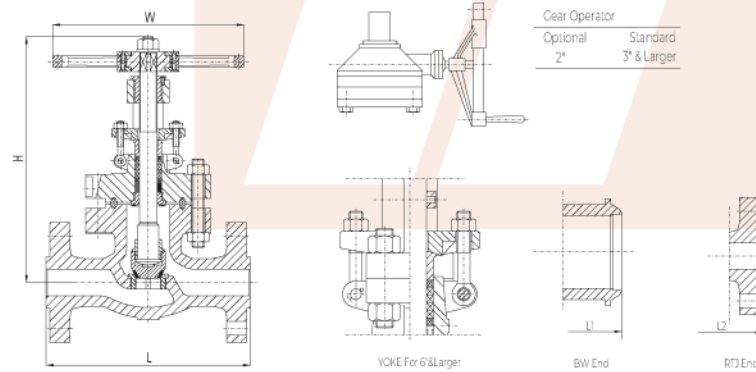
BS 1873 Design,
 Bolted Bonnet, OS&Y,
 Screwed-in Back Seat,
 Rising Stem and Handwheel,
 Swivel Disc

Cast Carbon Steel Globe Valve



NPS	in	2"	2-1/2"	3"	4"	6"	8"	10"	12"
DN	mm	50	65	80	100	150	200	250	300
L-L1 (RF-BW)	in	14.5	16.5	18.5	21.5	27.75	32.75	39	44.5
	mm	368	419	470	546	705	832	991	1130
L2 (RTJ)	in	14.62	16.62	18.62	21.62	28.00	33.13	39.4	45.1
	mm	371	422	473	549	711	842	1000	1146
W	in	14	14	20	22	24	24	31.9	31.9
	mm	350	350	500	560	610	610	810	810
H	in	21.7	22.5	22.9	31.3	50.3	77.2	96.5	114.3
	mm	550	572	582	795	1278	1960	2450	2904
WT(RF)	Kg	85	138	215	350	560	990	1530	2570
WT(BW)	Kg	75	112	129	299	462	830	1330	2270

Cast Carbon Steel Globe Valve



Class 2500

BS 1873 Design,
 Bolted Bonnet, OS&Y,
 Screwed-in Back Seat,
 Rising Stem and Handwheel,
 Swivel Disc

NPS	in	2"	2-1/2"	3"	4"	6"	8"	10"
DN	mm	50	65	80	100	150	200	250
L-L1 (RF-BW)	in	17.75	20	22.75	26.5	36	40.25	50
	mm	451	508	578	673	914	1022	1270
L2(RTJ)	in	17.88	20.25	23.00	26.88	36.50	40.88	50.9
	mm	454	514	584	683	927	1038	1292
W	in	16	20	22	24	24	24	31.9
	mm	400	500	560	610	610	610	810
H	in	28.3	31.5	34.8	49.6	75	97	122.4
	mm	720	800	885	1260	1905	2465	3108
WT(RF)	Kg	176	264	308	759	1990	4390	5290
WT(BW)	Kg	141	214	238	644	1700	3950	4390