



IMPORFERRI
IMPORTADORA FERRETERA INDUSTRIAL

03

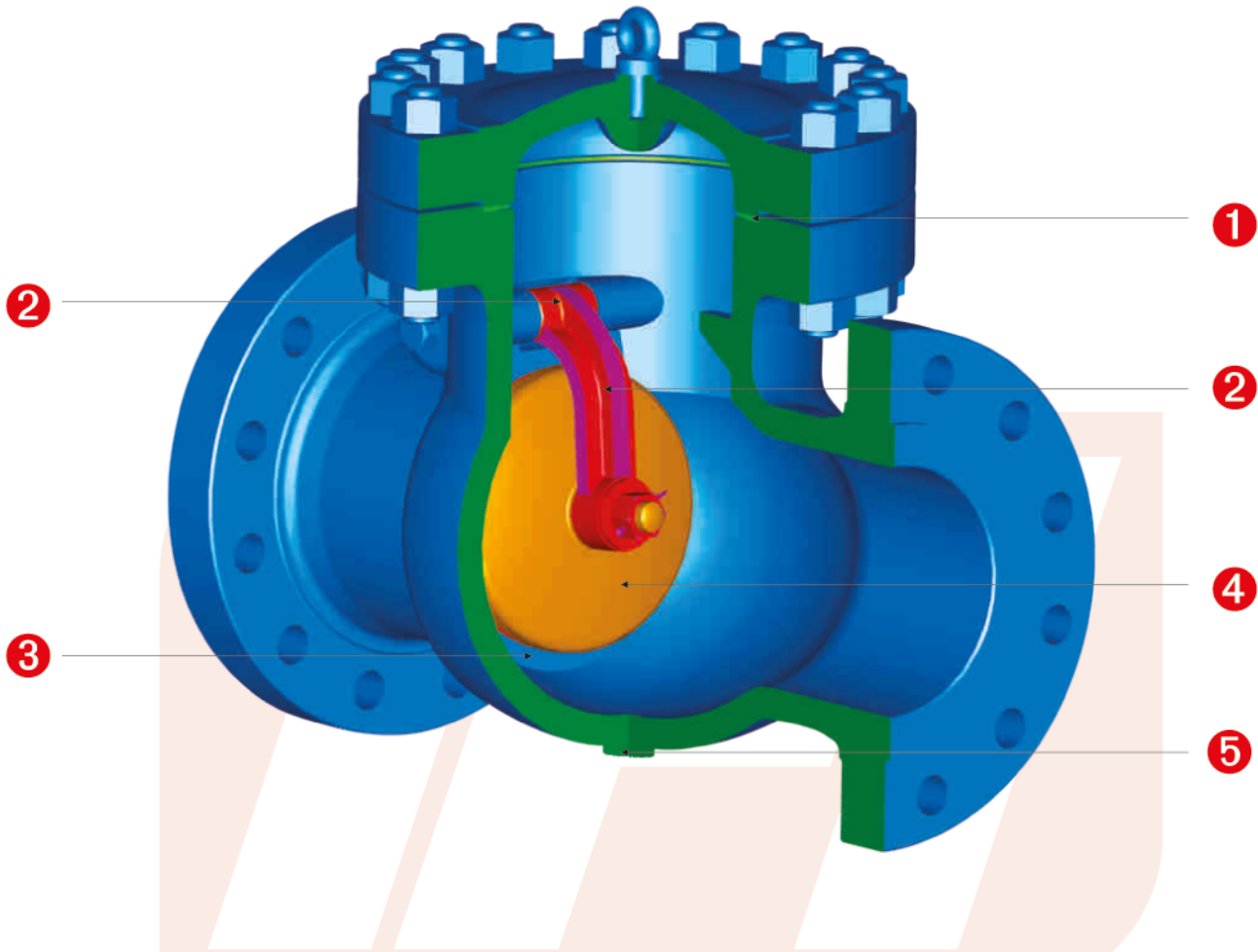
VÁLVULA DE RETENCION TIPO CLAPETA

BRIDADA





SWING CHECK VALVE - VÁLVULA DE RETENCION TIPO CLAPETA



- 1 Junta de grafito flexible para válvulas de clase 150, junta espiral para válvulas de clase 300 y 600, y junta anular para válvulas de clase 900 y superiores, o como opción para las válvulas de clase 600 a petición del cliente.
- 2 Se proporciona una bisagra y un pasador de bisagra, montados de manera que permitan el movimiento completo del disco.
- 3 Asiento estándar con junta soldada y renovable, fabricado con estelita 6, y asiento atornillado opcional.
- 4 Disco oscilante estándar, utilizado en posición horizontal para aplicaciones de servicio de líquidos o en posición vertical.
- 5 Se proporcionan soportes estándar para la toma de drenaje en la ubicación G, en la parte inferior del eje central de la carrocería.
Los soportes adicionales se adaptan a los requisitos del cliente.



Material list

Part	Standard	Low Temperature Service	Stainless Steel	High Temperature Service	Sour Service
BODY	ASTM A216-WCB	ASTM A352-LCC	ASTM A351-CF8M	ASTM A217-WC9	ASTM A216-WCB
COVER	ASTM A216-WCB	ASTM A352-LCC	ASTM A351-CF8M	ASTM A217-WC9	ASTM A216-WCB
DISC	ASTM A217-CA15(4"&Smaller) &ASTM A216-WCB/ER410	ASTM A352-LCC/316 OVERLAY	ASTM A351-CF8M	ASTM A217-WC9/STL OVERLAY	ASTM A217-CA15-NC(4"&Smaller) &ASTM A216-WCB/ER410-NC
HINGE	ASTM A216-WCB	ASTM A352-LCC	ASTM A351-CF8M	ASTM A217-WC9	ASTM A216-WCB
SEAT RING	ASTM A105/STL OVERLAY	ASTM A182-F316/STL OVERLAY	ASTM A182-F316/STL OVERLAY	ASTM A182-F22/STL OVERLAY	ASTM A105/STL OVERLAY
HINGE PIN	ASTM A276-410	ASTM A276-316	ASTM A276-316	ASTM A276-410	ASTM A276-410-NC
PLUG FOR HINGE PIN	CARBON STEEL	ASTM A276-316	ASTM A276-316	STAINLESS STEEL	CARBON STEEL
WASHER	STAINLESS STEEL	ASTM A276-316	ASTM A276-316	STAINLESS STEEL	STAINLESS STEEL
DISC NUT	ASTM A276-420	ASTM A276-316	ASTM A276-316	ASTM A276-420	STAINLESS STEEL
DISC WASHER	ASTM A276-420	ASTM A276-316	ASTM A276-316	ASTM A276-420	STAINLESS STEEL
DISC SPLIT PIN	ASTM A276-420	ASTM A276-316	ASTM A276-316	ASTM A276-420	STAINLESS STEEL
BONNET RING JOINT	SOFT STEEL	ASTM A276-316	ASTM A276-316	ASTM A276-304	SOFT STEEL
BONNET STUD	ASTM A193-B7	ASTM A320-L7M	ASTM A193 B8 Class 2	ASTM A193-B16	ASTM A193-B7M
BONNET NUT	ASTM A194-2H	ASTM A194-7M	ASTM A194 8	ASTM A194-7	ASTM A194-2HM
RIVET	CARBON STEEL	CARBON STEEL	STAINLESS STEEL	CARBON STEEL	CARBON STEEL
NAME PLATE	STAINLESS STEEL	STAINLESS STEEL	STAINLESS STEEL	STAINLESS STEEL	STAINLESS STEEL
HOOK SCREW	CARBON STEEL	CARBON STEEL	STAINLESS STEEL	CARBON STEEL	CARBON STEEL

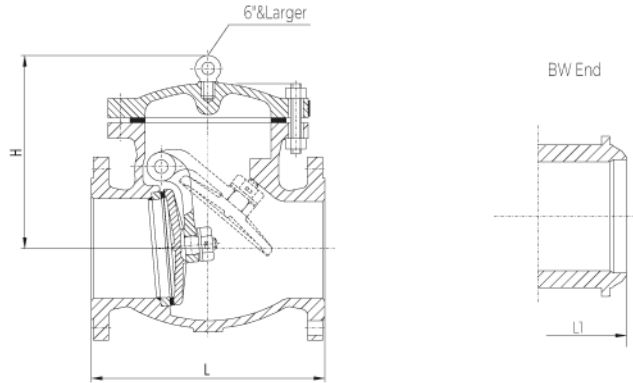


Dimension & Weight

Class 150

BS 1868 Design, Bolted Cover,
 Swing Type Disc

Cast Carbon Steel Swing Check Valve

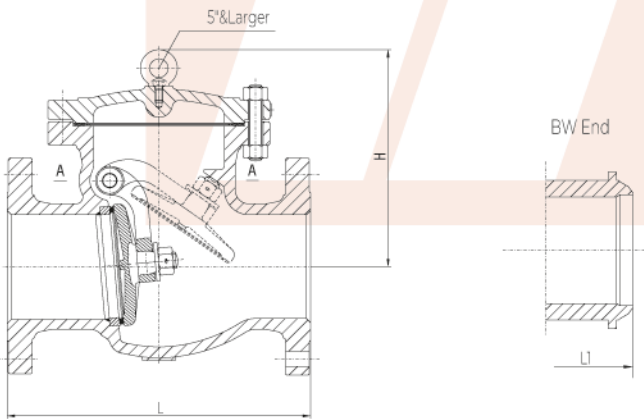


NPS	in	2"	2-1/2"	3"	4"	5"	6"	8"	10"	12"	14"	16"	18"	20"	24"	26"	28"	30"	32"	36"	40"	42"	48"
DN	mm	50	65	80	100	125	150	200	250	300	350"	400	450	500	600	650	700	750	800	900	1000	1050	1200
L-L1 (RF-BW)	in	8	8.5	9.5	11.5	13	14	19.5	24.5	27.5	31	34	38.5	38.5	51	51	57	60	68	77	85	89	101
	mm	203	216	241	292	330	356	495	622	699	787	864	978	978	1295	1295	1448	1524	1727	1956	2159	2261	2566
H	in	5.9	6.6	6.7	8	9.1	11.7	13.8	15.3	17.2	18.8	20.7	22.9	24.7	34.6	35.8	36.8	38.2	49.2	54.2	55.5	57.8	64.6
	mm	150.5	168	171	204	230	296.5	351.5	389.5	437.5	476.5	525	582	627	880	910	935	970	1250	1377	1410	1468	1642
WT(RF)	Kg	15	22	28	42	57	79	131	177	282	380	542	632	855	970	1276	1600	2020	2430	3130	4230	5030	6680
WT(BW)	Kg	10	12	17	29	45	57	96	143	227	294	468	552	755	831	1120	1420	1760	2130	2930	3730	4430	5680

Cast Carbon Steel Swing Check Valve

Class 300

BS 1868 Design, Bolted Cover,
 Swing Type Disc



NPS	in	2"	2-1/2"	3"	4"	5"	6"	8"	10"	12"	14"	16"	18"	20"	24"	26"	28"	30"	32"	36"	40"	42"	48"
DN	mm	50	65	80	100	125	150	200	250	300	350	400	450	500	600	650	700	750	800	900	1000	1050	1200
L-L1 (RF-BW)	in	10.5	11.5	12.5	14	15.75	17.5	21	24.5	28	33	34	38.5	40	53	53	59	62.75	68	82	96	103	124
	mm	267	292	318	356	400	445	533	622	711	838	864	978	1016	1346	1346	1499	1594	1727	2083	2438	2617	3151
H	in	6.9	7.3	8.5	10.2	12	12.5	15	17.1	20.1	22.1	23.5	26.6	28.7	33.9	36.6	45.8	50	50.0	59.4	68.9	73.6	87.8
	mm	176	185	216	259	304	317	380	434	511	561	596	675	730	860	930	1163	1270	1270	1510	1750	1870	2230
WT(RF)	Kg	20	30	40	65	84	118	193	310	450	595	840	933	1320	1848	2375	2660	3680	3880	5030	6290	7050	9310
WT(BW)	Kg	16	22	30	53	73	101	157	232	414	455	766	774	960	1792	1995	2260	2780	3380	4430	5640	6150	8310

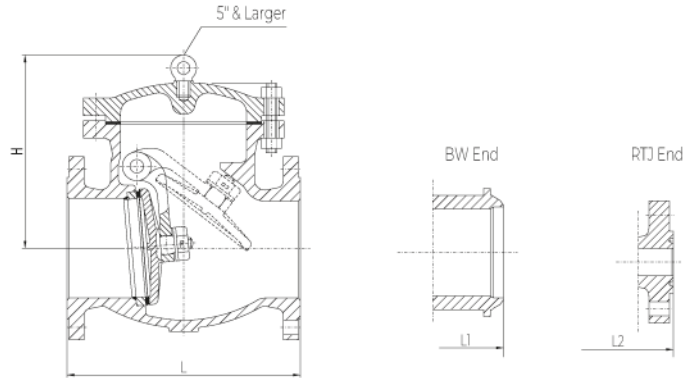


Dimension & Weight

Class 600

Cast Carbon Swing Check Valve

BS 1868 Design, Bolted Cover,
 Swing Type Disc

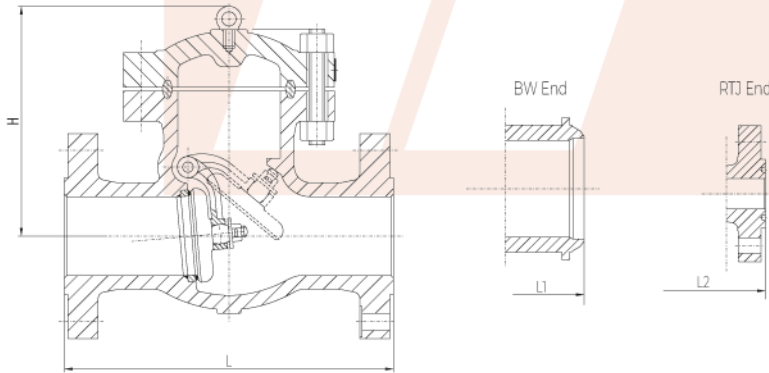


NPS	in	2"	2-1/2"	3"	4"	5"	6"	8"	10"	12"	14"	16"	18"	20"	24"	26"	28"	30"	32"	36"	40"	42"	48"
DN	mm	50	65	80	100	125	150	200	250	300	350	400	450	500	600	650	700	750	800	900	1000	1050	1200
L-L1 (RF-BW)	in	11.5	13	14	17	20	22	26	31	33	35	39	43	47	55	57	63	65	70	82	90	96	100
	mm	292	330	356	432	508	559	660	787	838	889	991	1092	1194	1397	1448	1600	1651	1778	2083	2286	2438	2540
L2 (RTJ)	in	11.62	13.12	14.12	17.12	20.12	22.12	26.12	31.12	33.12	35.12	39.12	43.12	47.25	55.38	57.5	63.5	65.5	70.6	82.6	-	-	-
	mm	295	333	359	435	511	562	663	790	841	892	994	1095	1200	1407	1461	1613	1664	1794	2099	-	-	-
H	in	7.2	8.3	9.1	10.4	11.6	14.7	16.8	20.4	22.4	24.5	26.8	29.6	38.4	43.7	43.7	46.9	52.1	53.8	60.7	67.0	70.9	85.5
	mm	184	210	232	263	295	374	426	517	569	622	680	752	975	1111	1110	1192	1324	1367	1542	1702	1800	2171
WT(RF)	kg	30	43	55	93	160	208	339	547	715	885	1310	1620	2120	3100	3800	4600	5500	6800	8100	8900	9800	11100
WT(BW)	kg	21	35	43	64	115	145	256	375	589	694	932	1279	1702	2497	3100	3900	4700	6000	7200	8100	9900	10200

Cast Carbon Steel Swing Check Valve

Class 900

BS 1868 Design, Bolted Cover,
 Swing Type Disc



NPS	in	2"	2-1/2"	3"	4"	6"	8"	10"	12"	14"	16"	18"	20"	24"	26"	28"	30"	32"	36"
DN	mm	50	65	80	100	150	200	250	300	350	400	450	500	600	650	700	750	800	900
L-L1 (RF-BW)	in	14.5	16.5	15	18	24	29	33	38	40.5	44.5	48.0	52.0	61.0	65.0	69.0	73.0	77.0	84.9
	mm	368	419	381	457	610	737	838	965	1029	1130	1219	1321	1549	1651	1753	1854	1956	2156
L2 (RTJ)	in	14.62	16.62	15.12	18.12	24.12	29.12	33.12	38.12	40.88	44.88	48.5	52.5	61.7	65.9	69.9	73.9	-	-
	mm	371	422	384	460	613	740	841	968	1038	1140	1232	1333	1568	1673	1775	1876	-	-
H	in	11.7	11.8	11.8	12.9	17.4	19.8	26.1	30.5	30.8	33	33.0	36.7	36.4	44.1	54.0	59.9	65.8	71.7
	mm	296	300	300	327	441	502	664	775	782	838	839	932	924	1121	1372	1521	1671	1821
WT(RF)	kg	70	100	110	150	305	510	810	1120	1380	1900	3000	4000	5200	6600	7550	8850	10150	12750
WT(BW)	kg	50	68	77	113	230	387	632	901	1139	1613	2650	3550	4650	5630	6420	7510	8600	10780

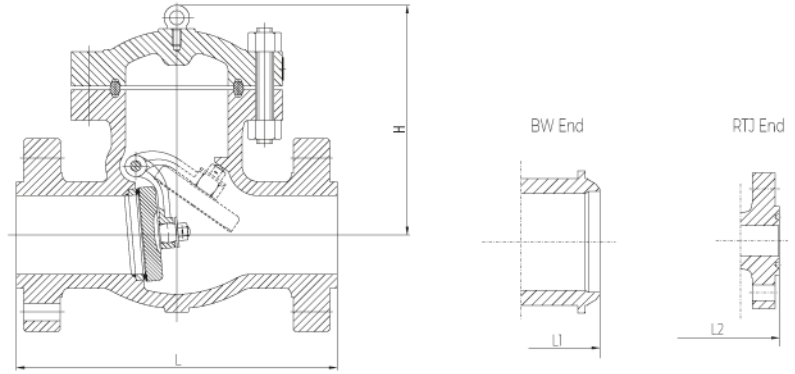


Dimension & Weight

Class 1500

BS 1868 Design, Bolted Cover, Swing Type Disc

Cast Carbon Steel Swing Check Valve

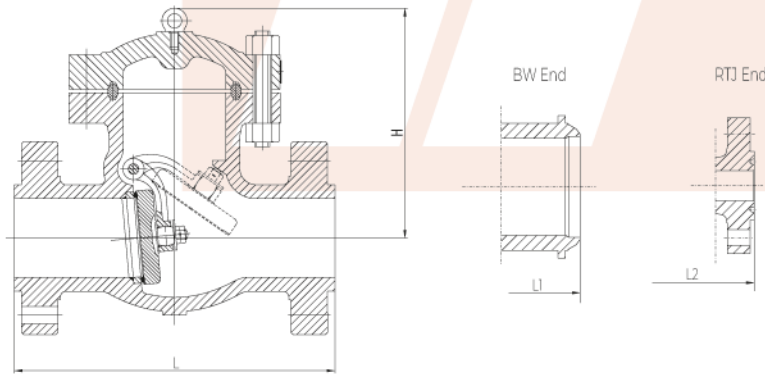


NPS	in	2"	2-1/2"	3"	4"	6"	8"	10"	12"	14"	16"	18"	20"	24"	26"	28"	30"
DN	mm	50	65	80	100	150	200	250	300	350	400	450	500	600	650	700	750
L-L1 (RF-BW)	in	14.5	16.5	18.5	21.5	27.75	32.75	39	44.5	49.5	54.5	60.5	65.5	76.5	82.0	87.5	93.0
	mm	368	419	470	546	705	832	991	1130	1257	1384	1537	1664	1943	2083	2222.5	2362
L2 (RTJ)	in	14.62	16.62	18.62	21.62	28.00	33.13	39.38	45.12	50.25	55.38	61.4	66.4	77.6	-	-	-
	mm	371	422	473	549	711	842	1000	1146	1276	1407	1559	1686	1972	-	-	-
H	in	11.7	11.8	13.4	16.2	20.1	26.8	29.8	33.7	37.4	40.1	45.2	50.6	60.6	70.6	80.7	90.7
	mm	296	300	341	412	511	680	756	857	950	1020	1147	1284	1539	1794	2049	2304
WT(RF)	kg	70	100	150	245	550	1010	1476	2280	3060	4500	6100	8000	9800	11600	13400	15200
WT(BW)	kg	50	77	115	190	452	750	1012	1780	2290	3500	5200	7500	8400	9300	10200	11100

Cast Carbon Steel Swing Check Valve

Class 2500

BS 1868 Design, Bolted Cover, Swing Type Disc



NPS	in	2"	2-1/2"	3"	4"	6"	8"	10"	12"	14"	16"	18"	20"	24"
DN	mm	50	65	80	100	150	200	250	300	350	400	450	500	600
L-L1 (RF-BW)	in	17.75	20	22.75	26.5	36	40.25	50	56	62.0	68.0	73.9	79.9	91.9
	mm	451	508	578	673	914	1022	1270	1422	1575	1727	1877	2029	2334
L2 (RTJ)	in	17.87	20.25	23.00	26.88	36.50	40.87	50.88	56.88	-	-	-	-	-
	mm	454	514	584	683	927	1038	1292	1445	-	-	-	-	-
H	in	16.4	16.5	17.4	18.9	20.1	28	33.5	39.4	47.2	51.2	55.1	59.1	63.0
	mm	416	419	441	479	511	711	851	1000	1200	1300	1400	1500	1600
WT (RF)	kg	145	240	330	650	806	2420	3750	5500	7400	9010	11200	12700	14000
WT (BW)	kg	110	190	260	535	665	1980	2980	4350	6200	8250	9400	11890	13000