



**IMPORFERRI**  
IMPORTADORA FERRETERA INDUSTRIAL

04

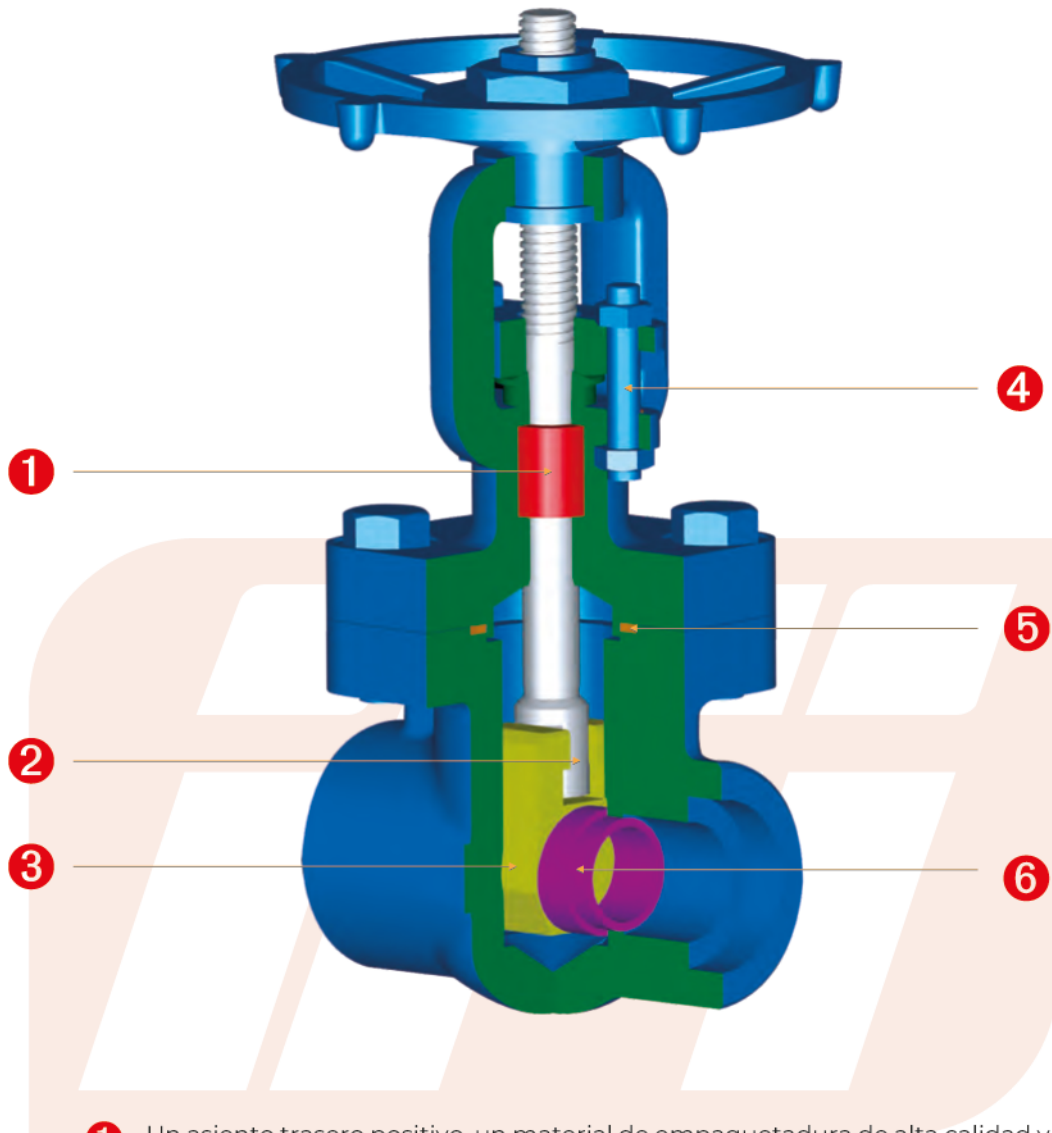
# VÁLVULA DE COMPUERTA

FORJADA





**GATE VALVE - VÁLVULA DE COMPUERTA**



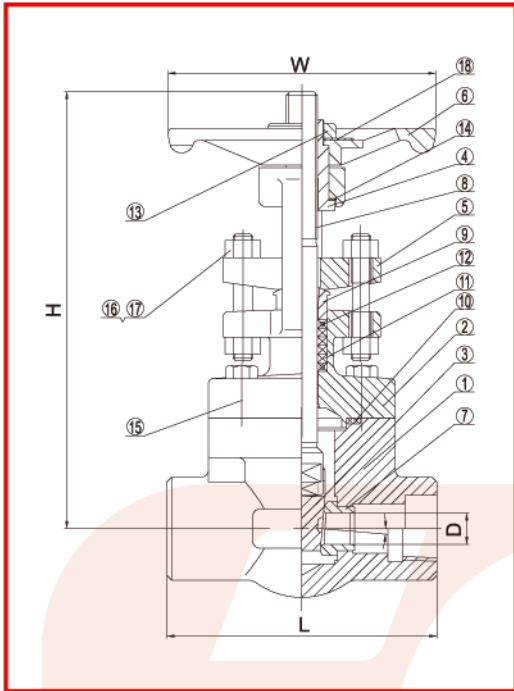
- 1** Un asiento trasero positivo, un material de empaquetadura de alta calidad y un diseño de prensaestopas mejorado garantizan un sellado del vástago más hermético.
- 2** El diseño del vástago con cabeza en T proporciona una conexión positiva entre el disco y el vástago, y garantiza un funcionamiento de asiento eficaz.
- 3** La cuña sólida totalmente guiada reduce el desgaste de las superficies de asiento.
- 4** La disposición de pernos y espárragos facilita el mantenimiento de la empaquetadura.
- 5** El diseño de la junta empotrada entre el cuerpo y la tapa captura la junta espiral de acero inoxidable, lo que garantiza la integridad del sellado entre el cuerpo y la tapa.
- 6** El diseño del asiento enrollado garantiza un montaje del asiento ajustado y eficaz

✉ [ventas@imporferri.com](mailto:ventas@imporferri.com) ☎ +593 98 903 6764 📍 Lotización Puertas de Alcalá, Pasaje S/N, Lote 1, La Planicie - San José de Morán, Quito-Ecuador

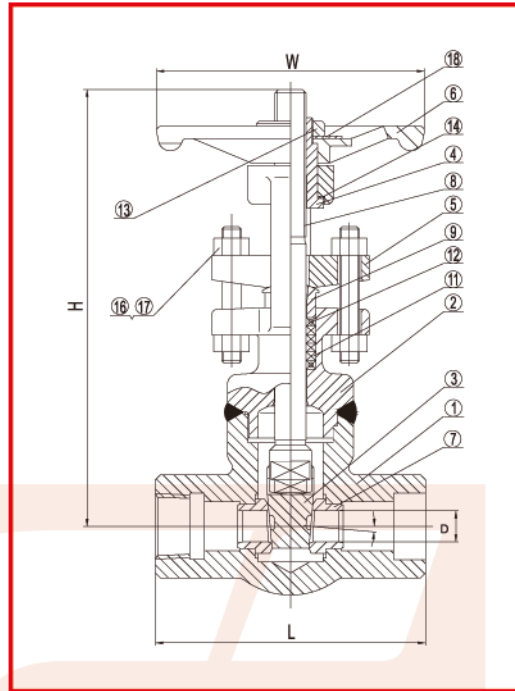
Aseguramos tu inversión garantizando que tus materiales cumplan con las certificaciones internacionales de calidad. Todos nuestros materiales incluyen certificado de calidad.



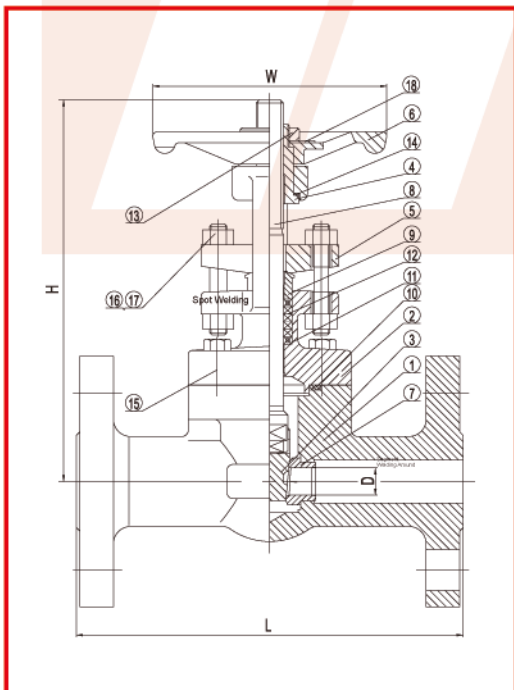
Drawing



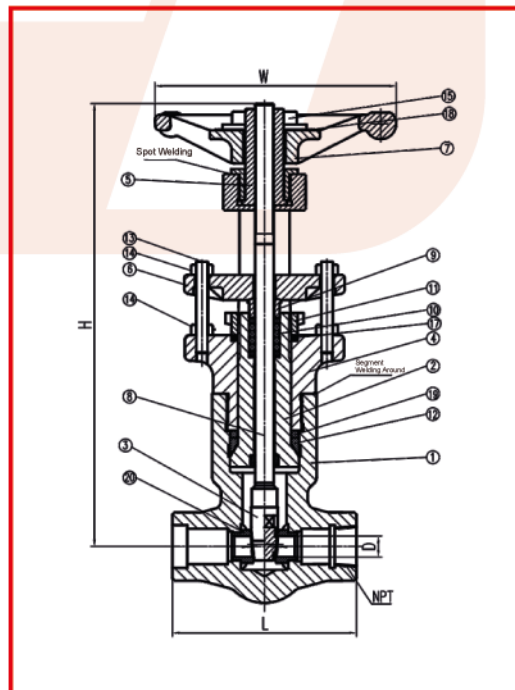
Bolted Bonnet



Welded Bonnet



Integral Flanged Ends



Pressure Seal Bonnet Connection



## Material List

NO.	Description of Parts	Material		
		Standard	High Temperature	Stainless Steel
1	BODY	ASTM A105 N	ASTM A182-F11/F22	ASTM A182-F304/F316
2	BONNET	ASTM A105 N	ASTM A182-F11/F22	ASTM A182-F304/F316
3	WEDGE	ASTM A182-F6a	ASTM A182-F6a	ASTM A182-F304/F316
4	STEM NUT	ASTM A276-420	ASTM A276-420	ASTM A276-420
5	GLAND FLANGE	ASTM A216-WCB	ASTM A216-WCB	ASTM A351-CF8
6	HANDWHEEL	DUCTILE IRON	DUCTILE IRON	DUCTILE IRON
7	SEAT RING	ASTM A276-410/STL.OVERLAY	ASTM A276-410/STL.OVERLAY	ASTM A182-F304/F316/STL.6 OVERLAY
8	STEM	ASTM A182-F6a	ASTM A182-F6a	ASTM A182-F304/F316
9	GLAND	ASTM A276-420	ASTM A276-420	ASTM A276-304/316
10	GASKET	304SS/SPIRAL WOUND GRAPHITE	304SS/SPIRAL WOUND GRAPHITE	304/316SS/SPIRAL WOUND GRAPHITE
11	PACKING	GRAPHITE	GRAPHITE	GRAPHITE
12	PACKING	CARBON YARN	CARBON YARN	CARBON YARN
13	HANDWHEEL NUT	CARBON STEEL	CARBON STEEL	ASTM A276-304
14	WASHER	ASTM A276-304	ASTM A276-304	ASTM A276-304
15	STUD	ASTM A193-B7	ASTM A193-B16	ASTM A193-B8
16	BOLT	ASTM A193-B8	ASTM A193-B8	ASTM A193-B8
17	NUT	ASTM A194-8	ASTM A194-8	ASTM A194-8
18	NAME PLATE	ASTM A276-304	ASTM A276-304	ASTM A276-304

### Class 800 Bolted Bonnet or Welded Bonnet

Regular and Full Port - API602. Outside Screw & Yoke - Threaded and Socket Weld Ends

Regular Port	Size	3/8		1/2		3/4		1		1-1/4		1-1/2		2		
Full Port	Size	1/4		3/8		1/2		3/4		1		1-1/4		1-1/2		
End to End	L	mm	in	mm	in	mm	in	mm	in	mm	in	mm	in	mm	in	
		76	2.99	76	2.99	86	3.39	102	4.02	118	4.65	118	4.65	132	5.20	
Bore Diameter	D	9.5	0.37	9.5	0.37	12.7	0.50	17.5	0.69	23.8	0.94	28.6	1.13	36.5	1.44	
Center to Top (Open)	H	Bolted Bonnet	144	5.68	144	5.68	151	5.95	178	7.02	245	9.65	247	9.73	269	10.58
		Welded Bonnet	157	6.19	157	6.19	165	6.51	192	7.57	272	10.70	277	10.92	283	11.15
Handwheel	W	90	3.54	90	3.54	90	3.54	110	4.33	150	5.91	150	5.91	150	5.91	
Approx. Weight	Kg/Lb	1.5	3.31	1.5	3.31	2.0	4.41	3.0	6.61	4.0	8.82	5.5	12.13	7.5	16.53	

### Class 900/1500 Bolted Bonnet or Welded Bonnet

Regular and Full Port - API602. Outside Screw & Yoke - Threaded and Socket Weld Ends

Regular Port	Size	3/8		1/2		3/4		1		1-1/4		1-1/2		2		
Full Port	Size	1/4		3/8		1/2		3/4		1		1-1/4		1-1/2		
End to End	L	mm	in	mm	in	mm	in	mm	in	mm	in	mm	in	mm	in	
		90	3.54	90	3.54	104	4.09	120	4.72	130	5.12	130	5.12	150	5.91	
Bore Diameter	D	6.5	0.26	9.5	0.37	12.7	0.50	16	0.63	22.5	0.89	27	1.06	35	1.38	
Center to Top (Open)	H	Bolted Bonnet	163	6.41	163	6.41	190	7.47	225	8.85	263	10.33	264	10.41	319	12.57
		Welded Bonnet	177	6.98	177	6.98	206	8.09	240	9.44	271	10.66	276	10.86	325	12.81
Handwheel	W	90	3.54	90	3.54	110	4.33	150	5.91	150	5.91	150	5.91	180	7.09	
Approx. Weight	Kg/Lb	2.5	5.51	2.5	5.51	3.5	7.72	5.5	12.13	8.0	17.64	8.5	18.74	14.5	31.97	



## Dimension & Weight

### Class 900/1500 Pressure Seal Bonnet

Regular and Full Port - API602. Outside Screw & Yoke - Threaded and Socket Weld Ends

Regular Port	Size	3/8		1/2		3/4		1		1-1/4		1-1/2		2	
Full Port	Size	1/4		3/8		1/2		3/4		1		1-1/4		1-1/2	
End to End	L	mm	in	mm	in	mm	in	mm	in	mm	in	mm	in	mm	in
		-	-	120	4.72	120	4.72	140	5.51	178	7.01	178	7.01	216	8.50
Bore Diameter	D	-	-	9.5	0.37	12.7	0.50	16	0.63	27	1.06	27	1.06	35	1.38
Center to Top (Open)	H	-	-	230	9.06	294	11.57	337.5	13.29	396.5	15.61	396.5	15.61	449	17.68
Handwheel	W	-	-	110	4.33	110	4.33	150	5.91	150	5.91	150	5.91	180	7.09
Approx. Weight	Kg/Lb	-	-	3.8	8.38	5.3	11.68	8.3	18.30	12.8	28.22	12.8	28.22	21.8	48.06

### Class 2500 Welded Bonnet

Regular and Full Port - ASME B16.34. Outside Screw & Yoke - Threaded and Socket Weld Ends

Regular Port	Size	3/8		1/2		3/4		1		1-1/4		1-1/2		2	
Full Port	Size	1/4		3/8		1/2		3/4		1		1-1/4		1-1/2	
End to End	L	mm	in	mm	in	mm	in	mm	in	mm	in	mm	in	mm	in
		-	-	178	7.01	178	7.01	186	7.32	232	9.13	232	9.13	279	10.98
Bore Diameter	D	-	-	9.0	0.35	12.0	0.47	15	0.59	27	1.06	27	1.06	35	1.38
Center to Top (Open)	H	-	-	295	11.61	295	11.61	345	13.58	410	16.14	410	16.14	460	18.11
Handwheel	W	-	-	150	5.91	150	5.91	180	7.09	250	9.84	250	9.84	350	13.78
Approx. Weight	Kg/Lb	-	-	8.0	17.64	8.0	17.64	11	24.25	20	44.09	20	44.09	25	55.12

### Class 2500 Pressure Seal Bonnet

Regular and Full Port - ASME B16.34. Outside Screw & Yoke - Threaded and Socket Weld Ends

Regular Port	Size	3/8		1/2		3/4		1		1-1/4		1-1/2		2	
Full Port	Size	1/4		3/8		1/2		3/4		1		1-1/4		1-1/2	
End to End	L	mm	in	mm	in	mm	in	mm	in	mm	in	mm	in	mm	in
		-	-	178	7.01	178	7.01	186	7.32	232	9.13	232	9.13	279	10.98
Bore Diameter	D	-	-	9.0	0.35	12.0	0.47	15	0.59	27	1.06	27	1.06	35	1.38
Center to Top (Open)	H	-	-	383	15.08	383	15.08	406.5	16.00	454.5	17.89	454.5	17.89	540	21.26
Handwheel	W	-	-	150	5.91	150	5.91	180	7.09	250	9.84	250	9.84	350	13.78
Approx. Weight	Kg/Lb	-	-	10.0	22.05	10.0	22.05	13	28.66	21.8	48.06	21.8	48.06	28	61.73

### Class 150-300-600 Overall-end Flange, Bolted Bonnet, Structure Length-ASME B16.10

Regular Port - API 602. Outside Yoke & Overall-end Flange - ASME B16.5

Regular Port	Size	1/2		3/4		1		1-1/2		2		
End to End	L	mm	in	mm	in	mm	in	mm	in	mm	in	
		Class 150	108	4.25	117	4.61	127	5	165	6.50	178	7.01
Class 300	140	5.51	152	5.98	165	6.50	190	7.48	216	8.50		
Class 600	165	6.50	190	7.48	216	8.50	241	9.49	292	11.50		
Bore Diameter	D	9.50	0.37	12.7	0.50	17.5	0.69	28.6	1.13	36.5	1.44	
Center to Top (Open)	H	45.5	5.73	151.8	5.98	179.7	7.07	247	9.72	268.7	10.58	
Handwheel	W	90	3.54	90	3.54	110	4.33	150	5.91	150	5.91	
Approx. Weight	Class 150	Kg/Lb	3	6.61	3.8	8.38	4.8	10.58	10	22.05	15	33.07
	Class 300		3.4	7.50	4.5	9.92	5.7	12.57	11.5	25.35	17	37.48
	Class 600		4	8.82	5.2	11.46	6.6	14.55	12.7	28.00	18	39.68