



IMPORFERRI
IMPORTADORA FERRETERA INDUSTRIAL

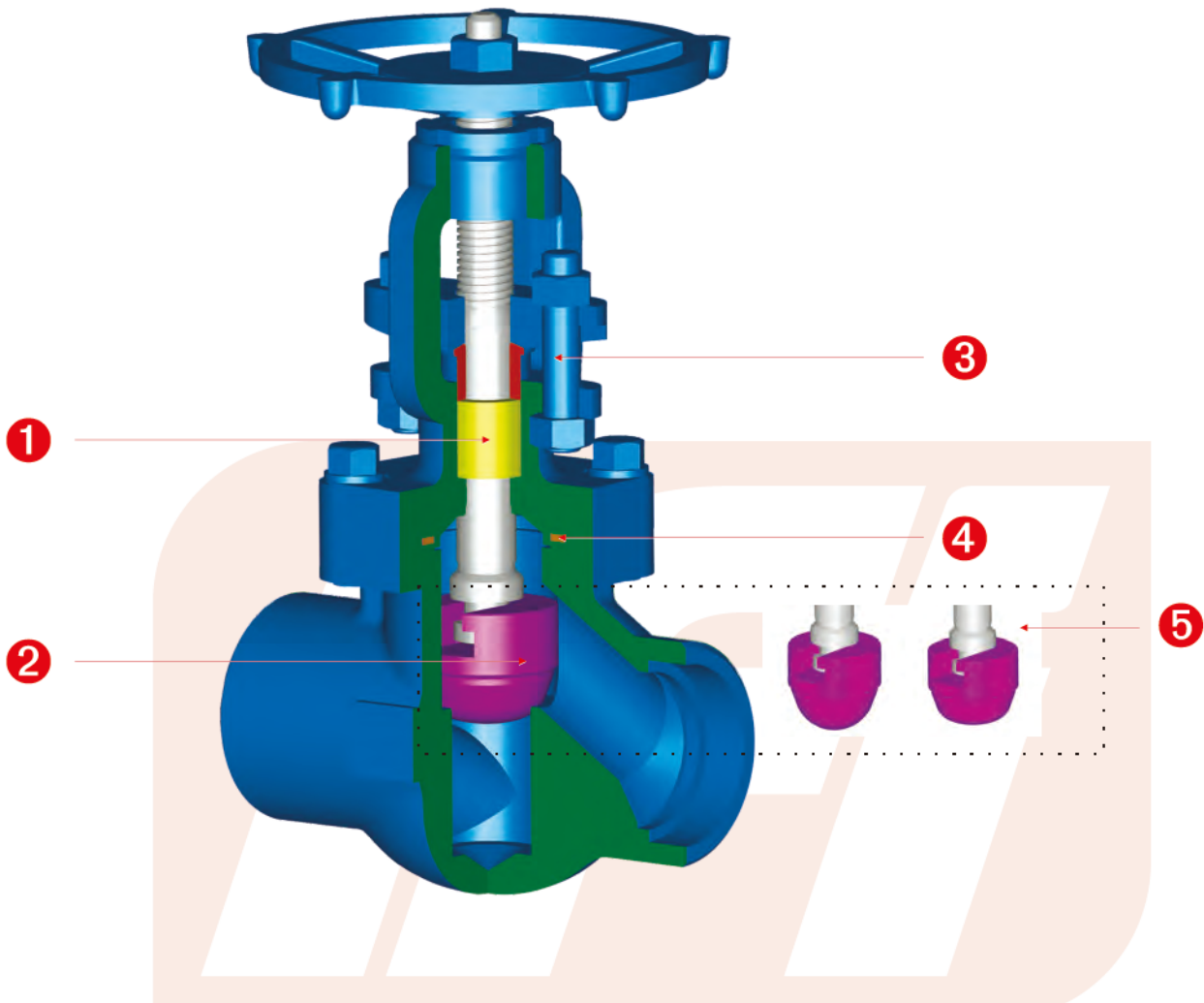
05

**VÁLVULA DE
GLOBO**
FORJADA





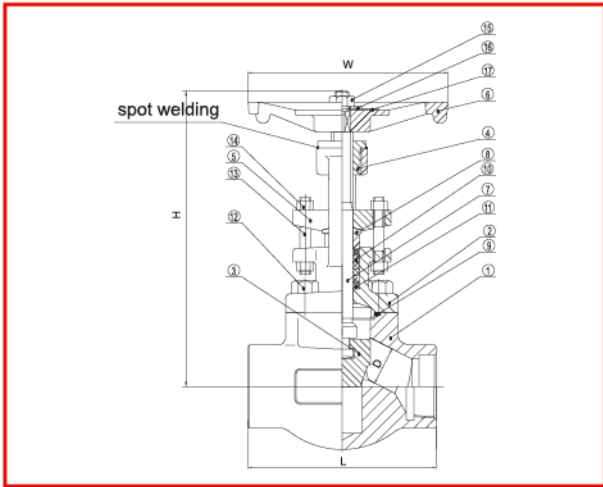
GLOBE VALVE - VÁLVULA DE GLOBO



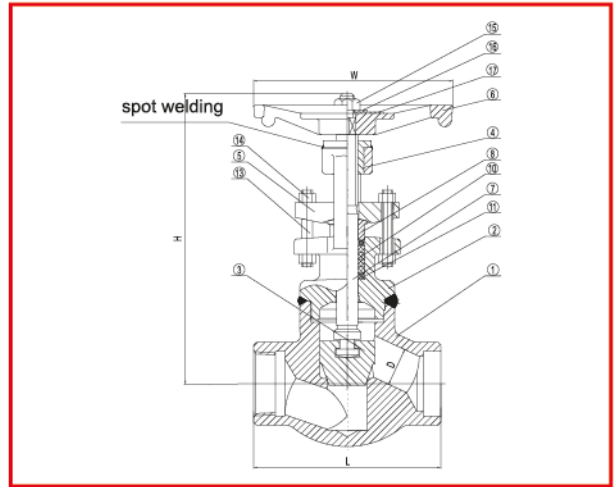
- 1 Un asiento trasero positivo, un material de empaquetadura de alta calidad y un diseño mejorado de la caja de estopas garantizan un sellado más hermético del vástago.
- 2 El disco sólido totalmente guiado garantiza una alineación perfecta del disco y el asiento y reduce el desgaste de las superficies de asiento.
- 3 La disposición de pernos y espárragos facilita el mantenimiento de la empaquetadura.
- 4 El diseño de la junta empotrada entre el cuerpo y el bonete captura la junta espiral de acero inoxidable, lo que garantiza la integridad del sellado entre el cuerpo y el bonete.
- 5 Los discos tipo tapón son estándar; otros están disponibles bajo pedido



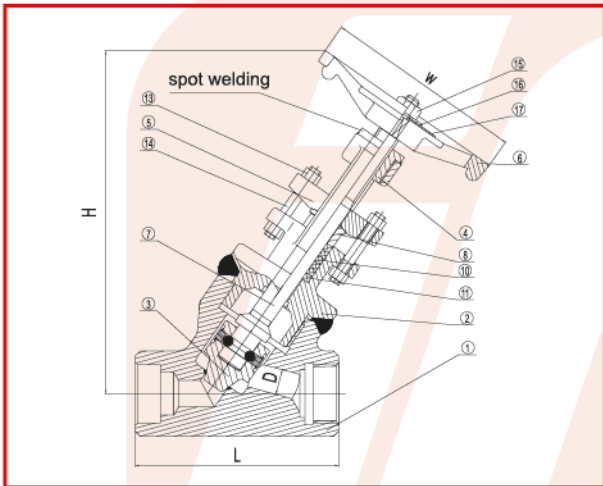
Drawing



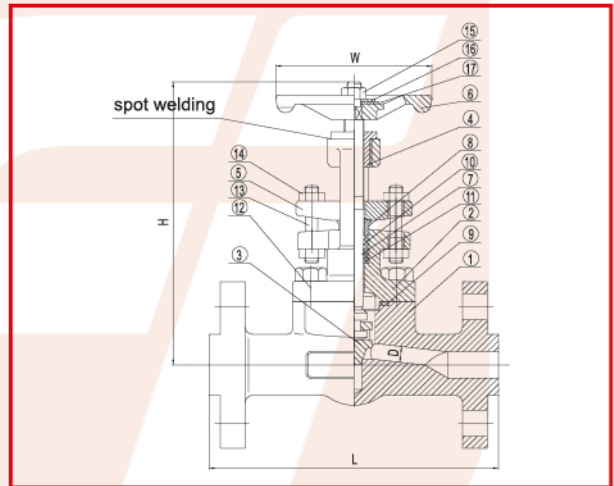
Bolted Bonnet



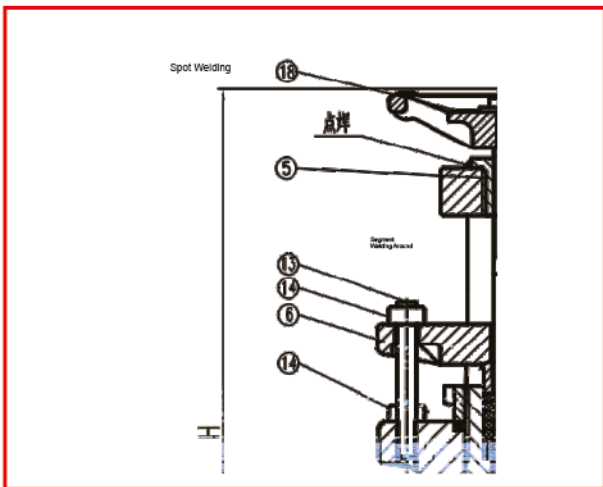
Welded Bonnet



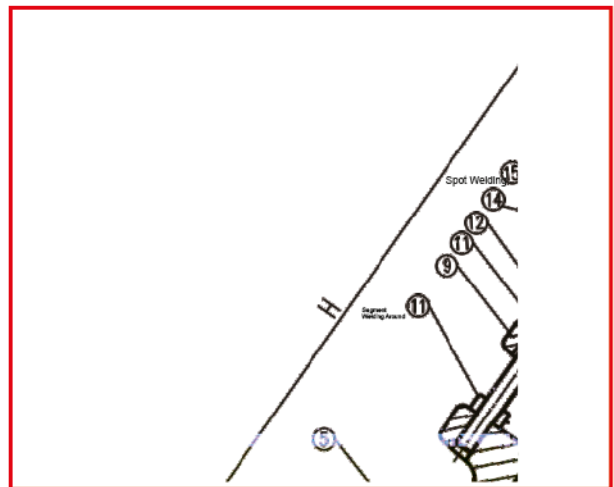
Y Pattern Welded Bonnet



Integral Flanged Ends



Pressure Seal Bonnet



Y-Pattern, Pressure Seal Bonnet



Material List

NO.	Description of Parts	Material		
		Standard	High Temperature	Stainless Steel
1	BODY	ASTM A105/STL.OVERLAY	ASTM A182-F11/F22/STL OVERLAY	ASTM A182-F304/F316/STL OVERLAY
2	BONNET	ASTM A105	ASTM A182-F11/F22	ASTM A182-F304/F316
3	DISC	ASTM A182-F6a	ASTM A182-F6a	ASTM A182-F304/F316
4	STEM NUT	ASTM A276-420	ASTM A276-420	ASTM A276-420
5	GLAND FLANGE	ASTM A216-WCB	ASTM A216-WCB	ASTM A351-CF8
6	HAND WHEEL	DUCTILE IRON	DUCTILE IRON	DUCTILE IRON
7	STEM	ASTM A182-F6a	ASTM A182-F6a	ASTM A182-F304/F316
8	GLAND	ASTM A276-420	ASTM A276-420	ASTM A276-304/316L
9	GASKET	304SS/SPIRAL WOUND GRAPHITE	304SS/SPIRAL WOUND GRAPHITE	304/316SS/SPIRAL WOUND GRAPHITE
10	PACKING	GRAPHITE	GRAPHITE	GRAPHITE
11	PACKING	CARBON YARN	CARBON YARN	CARBON YARN
12	STUD	ASTM A193-B7	ASTM A193-B16	ASTM A193-B8
13	BOLT	ASTM A193-B8	ASTM A193-B8	ASTM A193-B8
14	NUT	ASTM A194-8	ASTM A194-8	ASTM A194-8
15	HANDWHEEL NUT	CARBON STEEL	CARBON STEEL	ASTM A276-304
16	HANDWHEEL WASHER	CARBON STEEL	CARBON STEEL	ASTM A276-304
17	NAME PLATE	ASTM A276-304	ASTM A276-304	ASTM A240-304

Class 800 Bolted Bonnet or Welded Bonnet

Regular and Full Port - API602 . Outside Screw & Yoke - Threaded and Socket Weld Ends

Regular Port	Size	3/8		1/2		3/4		1		1-1/4		1-1/2		2		
Full Port	Size	1/4		3/8		1/2		3/4		1		1-1/4		1-1/2		
End to End	L	mm	in	mm	in	mm	in	mm	in	mm	in	mm	in	mm	in	
		76	2.99	76	2.99	86	3.39	102	4.02	140	5.51	140	5.51	170	6.69	
Bore Diameter	D	6.5	0.26	9.5	0.37	12.7	0.50	17.5	0.69	23.0	0.91	28.6	1.13	36.5	1.44	
Center to Top (Open)	H	Bolted Bonnet	147.3	5.80	147.3	5.80	153.3	6.04	183.3	7.22	229.1	9.02	229.3	9.03	267.3	10.52
		Welded Bonnet	150.8	5.94	150.8	5.94	166.8	6.57	206.3	8.12	270.3	10.64	281.3	11.07	350.3	13.79
Handwheel	W	90	3.54	90	3.54	90	3.54	110	4.33	150	5.91	150	5.91	150	5.91	
Approx. Weight	Kg/Lb	2.0	4.41	2.0	4.41	2.5	5.51	3.5	7.72	7.0	15.43	7.0	15.43	10.5	23.15	

Class 900/1500 Bolted Bonnet or Welded Bonnet

Regular and Full Port - API602 . Outside Screw & Yoke - Threaded and Socket Weld Ends

Regular Port	Size	3/8		1/2		3/4		1		1-1/4		1-1/2		2		
Full Port	Size	1/4		3/8		1/2		3/4		1		1-1/4		1-1/2		
End to End	L	mm	in	mm	in	mm	in	mm	in	mm	in	mm	in	mm	in	
		90	3.54	90	3.54	104	4.09	120	4.72	150	5.91	150	5.91	180	7.09	
Bore Diameter	D	8.0	0.31	9.0	0.35	12.0	0.47	15	0.59	21	0.83	27	1.06	32	1.26	
Center to Top (Open)	H	Bolted Bonnet	165.7	6.52	165.7	6.52	191.8	7.55	226.8	8.93	278.3	10.96	280.3	11.04	312.3	12.30
		Welded Bonnet	179.7	7.07	179.7	7.07	207.3	8.16	239.7	9.44	281.8	11.09	285.8	11.25	316.3	12.45
Handwheel	W	90	3.54	90	3.54	110	4.33	150	5.91	150	5.91	180	7.09	180	7.09	
Approx. Weight	Kg/Lb	2.5	5.51	2.5	5.51	3.0	6.61	5.5	12.13	8.5	18.74	8.5	18.74	14.5	31.97	



Dimension & Weight

Class 900/1500 Pressure Seal Bonnet

Regular and Full Port - API602. Outside Screw & Yoke - Threaded and Socket Weld Ends

Regular Port	Size	3/8		1/2		3/4		1		1-1/4		1-1/2		2	
Full Port	Size	1/4		3/8		1/2		3/4		1		1-1/4		1-1/2	
End to End	L	mm	in	mm	in	mm	in	mm	in	mm	in	mm	in	mm	in
		120	4.72	120	4.72	120	4.72	140	5.51	165	6.50	178	7.01	216	8.50
Bore Diameter	D	8.0	0.31	9.0	0.35	12.0	0.47	15	0.59	21	0.83	27	1.06	30	1.18
Center to Top (Open)	H	285.3	11.23	285.3	11.23	285.3	11.23	340.3	13.40	395.8	15.58	395.8	15.58	446.8	17.59
Handwheel	W	150	5.91	150	5.91	150	5.91	180	7.09	200	7.87	200	7.87	250	9.84
Approx. Weight	Kg/Lb	7.5	16.53	7.5	16.53	7.5	16.53	12.0	26.46	18.5	40.79	19.0	41.89	28.5	62.83

Class 2500 Welded Bonnet

Regular and Full Port - ASME B16.34. Outside Screw & Yoke - Threaded and Socket Weld Ends

Regular Port	Size	3/8		1/2		3/4		1		1-1/4		1-1/2		2	
Full Port	Size	1/4		3/8		1/2		3/4		1		1-1/4		1-1/2	
End to End	L	mm	in	mm	in	mm	in	mm	in	mm	in	mm	in	mm	in
		120	4.72	120	4.72	140	5.51	186	7.32	232	9.13	232	9.13	279	10.98
Bore Diameter	D	8.0	0.31	9.0	0.35	12.0	0.47	15	0.59	19	0.75	27	1.06	27	1.06
Center to Top (Open)	H	205	8.07	205	8.07	260	10.24	302	11.89	340	13.39	340	13.39	390	15.35
Handwheel	W	150	5.91	150	5.91	180	7.09	200	7.87	250	9.84	250	9.84	350	13.78
Approx. Weight	Kg/Lb	7.0	15.43	7.0	15.43	9.0	19.84	15.5	34.17	26	57.32	26	57.32	36	79.37

Class 2500 Pressure Seal Bonnet

Regular and Full Port - ASME B16.34. Outside Screw & Yoke - Threaded and Socket Weld Ends

Regular Port	Size	3/8		1/2		3/4		1		1-1/4		1-1/2		2	
Full Port	Size	1/4		3/8		1/2		3/4		1		1-1/4		1-1/2	
End to End	L	mm	in	mm	in	mm	in	mm	in	mm	in	mm	in	mm	in
		120	4.72	120	4.72	140	5.51	186	7.32	232	9.13	232	9.13	279	10.98
Bore Diameter	D	8.0	0.31	9.0	0.35	12.0	0.47	15	0.59	19	0.75	27	1.06	27	1.06
Center to Top (Open)	H	295.3	11.63	295.3	11.63	346.3	13.63	389.3	15.33	430.4	16.94	430.4	16.94	478.8	18.85
Handwheel	W	150	5.91	150	5.91	180	7.09	200	7.87	250	9.84	250	9.84	350	13.78
Approx. Weight	Kg/Lb	7.5	16.53	7.5	16.53	12.0	26.46	19.5	42.99	28	61.73	28	61.73	40	88.18

Class 150-300-600 Overall-end Flange, Bolted Bonnet, Structure Length-ASME B16.10

Regular Port - API 602. Outside Yoke & Overall-end Flange - ASME B16.5

Regular Port	Size	1/2		3/4		1		1-1/4		1-1/2		2	
End to End	L	mm	in	mm	in	mm	in	mm	in	mm	in	mm	in
Class 150		108	4.25	117	4.61	127	5	140	5.51	165	6.50	203	7.99
Class 300		152	5.98	178	7.01	203	7.99	-	-	229	9.02	267	10.51
Class 600		165	6.50	190	7.48	216	8.50	-	-	241	9.49	292	11.50
Bore Diameter	D	9.50	0.37	12.7	0.50	17.5	0.69	23	0.91	28.6	1.13	36.5	1.44
Center to Top (Open)	H	147.3	5.80	153.3	6.04	183.3	7.22	229.1	9.02	229.3	9.03	267.3	10.52
Handwheel	W	90	3.54	90	3.54	110	4.33	150	5.91	150	5.91	150	5.91
Approx. Weight	Class 150	3.5	7.72	4.3	9.48	5.3	11.68	10	22.05	12	26.46	16	35.27
	Class 300	4.0	8.82	4.8	10.58	6.2	13.67	-	-	13.5	29.76	18	39.68
	Class 600	4.5	9.92	5.5	12.13	7.0	15.43	-	-	15	33.07	20	44.09

Class 900/1500 Overall-end Flange, Bolted Bonnet, Structure Length-ASME B16.10

Regular Port - API 602. Outside Yoke & Overall-end Flange - ASME B16.5

Regular Port	Size	1/2		3/4		1		1-1/2		2	
End to End	L	mm	in	mm	in	mm	in	mm	in	mm	in
		216	8.50	229	9.02	254	10.00	305	12.01	368	14.49
Bore Diameter	D	9.0	0.35	12.0	0.47	15.0	0.59	27.0	1.06	32.0	1.26
Center to Top (Open)	H	165.7	6.52	191.8	7.55	226.8	8.93	280.3	11.04	312.3	12.30
Handwheel	W	90	3.54	110	4.33	150	5.91	180	7.09	180	7.09
Approx. Weight	Kg/Lb	7.0	15.43	9.0	19.84	14.5	31.97	22	48.50	40	88.18



Dimension & Weight

Class 800 Y Pattern Welded Bonnet

Full Port - API602 . Outside Screw & Yoke - Threaded and Socket Weld Ends

Full Port	Size	3/8		1/2		3/4		1		1-1/4		1-1/2		2	
		mm	in	mm	in	mm	in	mm	in	mm	in	mm	in	mm	in
End to End	L	80	3.15	80	3.15	90	3.54	110	4.33	125	4.92	155	6.10	180	7.09
Bore Diameter	D	9.5	0.37	12	0.47	17	0.67	23	0.91	28	1.10	36	1.42	44	1.73
Center to Top (Open)	H	170	6.69	170	6.69	200	7.87	242	9.53	276	10.87	295	11.61	327	12.87
Handwheel	W	90	3.54	90	3.54	110	4.33	150	5.91	150	5.91	150	5.91	180	7.09
Approx. Weight	Kg/Lb	2.0	4.41	2.5	5.51	3.5	7.72	5.0	11.02	6.5	14.33	8.0	17.64	12.5	27.56

Class 900-1500 Y Pattern Welded Bonnet

Full Port - API602 . Outside Screw & Yoke - Threaded and Socket Weld Ends

Full Port	Size	3/8		1/2		3/4		1		1-1/4		1-1/2		2	
		mm	in	mm	in	mm	in	mm	in	mm	in	mm	in	mm	in
End to End	L	80	3.15	90	3.54	110	4.33	125	4.92	155	6.10	180	7.09	200	7.87
Bore Diameter	D	9.5	0.37	12	0.47	15	0.59	21	0.83	27	1.06	32	1.26	38	1.50
Center to Top (Open)	H	170	6.69	200	7.87	238	9.37	272	10.71	308	12.13	326	12.83	376	14.80
Handwheel	W	90	3.54	110	4.33	150	5.91	150	5.91	180	7.09	180	7.09	200	7.87
Approx. Weight	Kg/Lb	2.8	6.17	4.0	8.82	5.0	11.02	7.5	16.53	9.0	19.84	13	28.66	18	39.68

Class 2500 Y Pattern Welded Bonnet

Full Port-ASME B16.34 . Outside Screw & Yoke - Threaded and Socket Weld Ends

Full Port	Size	3/8		1/2		3/4		1		1-1/2		2	
		mm	in	mm	in	mm	in	mm	in	mm	in	mm	in
End to End	L	-	-	110	4.33	125	4.92	180	7.09	200	7.87	230	9.06
Bore Diameter	D	-	-	12	0.47	15	0.59	21	0.83	28	1.10	35	1.38
Center to Top (Open)	H	-	-	239.6	9.43	274.1	10.79	325.5	12.81	372.9	14.68	446.2	17.57
Handwheel	W	-	-	150	5.91	150	5.91	180	7.09	200	7.87	300	11.81
Approx. Weight	Kg/Lb	-	-	5.5	12.13	7.5	16.53	13.5	29.76	18.5	40.79	25	55.12

Class 900-1500 Y Pattern Pressure Seal Bonnet

Full Port - API602 . Outside Screw & Yoke - Threaded and Socket Weld Ends

Full Port	Size	1/2		3/4		1		1-1/2		2	
		mm	in	mm	in	mm	in	mm	in	mm	in
End to End	L	140	5.51	140	5.51	140	5.51	178	7.01	216	8.50
Bore Diameter	D	10	0.39	15	0.59	21	0.83	32	1.26	38	1.50
Center to Top (Open)	H	350	13.78	350	13.78	350	13.78	450	17.72	450	17.72
Handwheel	W	200	7.87	200	7.87	200	7.87	250	9.84	300	11.81
Approx. Weight	Kg/Lb	9.0	19.84	9.5	20.94	11.5	25.35	16.5	36.38	30	66.14

Class 2500 Y Pattern Pressure Seal Bonnet

Full Port-ASME B16.34 . Outside Screw & Yoke - Threaded and Socket Weld Ends

Full Port	Size	1/2		3/4		1		1-1/2		2	
		mm	in	mm	in	mm	in	mm	in	mm	in
End to End	L	140	5.51	178	7.01	216	8.50	216	8.50	279	10.98
Bore Diameter	D	12	0.47	15	0.59	21	0.83	28	1.10	38	1.50
Center to Top (Open)	H	380	14.96	405	15.94	430	16.93	480	18.90	520	20.47
Handwheel	W	180	7.09	200	7.87	250	9.84	350	13.78	350	13.78
Approx. Weight	Kg/Lb	10	22.05	13	28.66	15	33.07	25	55.12	42.5	93.70