



IMPORFERRI
IMPORTADORA FERRETERA INDUSTRIAL

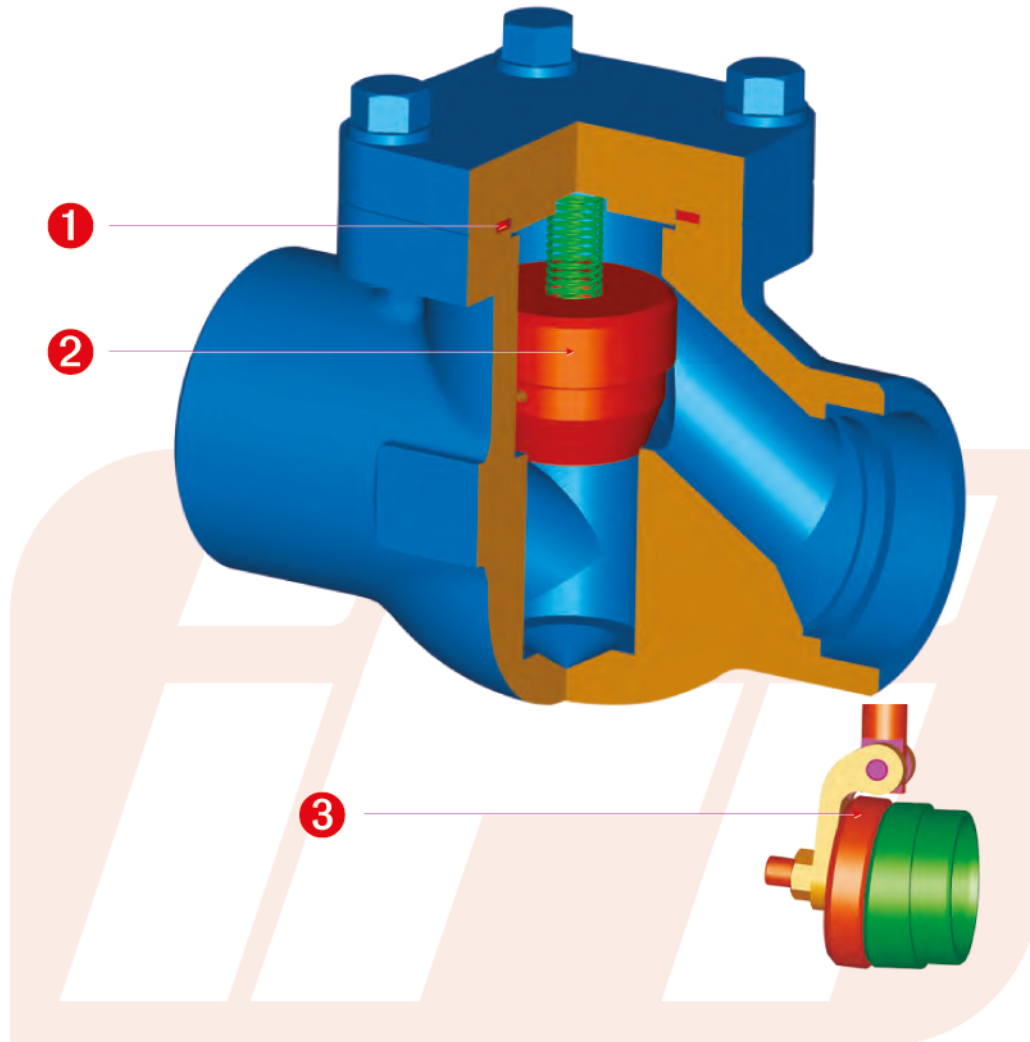
06

VÁLVULA PISTON CHECK





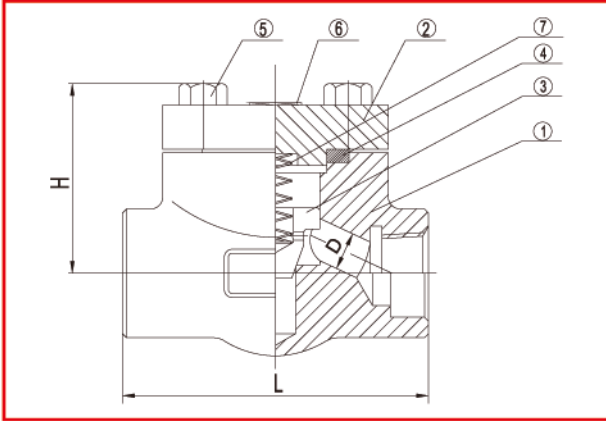
PISTON CHECK VALVE - VÁLVULA CHECK TIPO PISTÓN



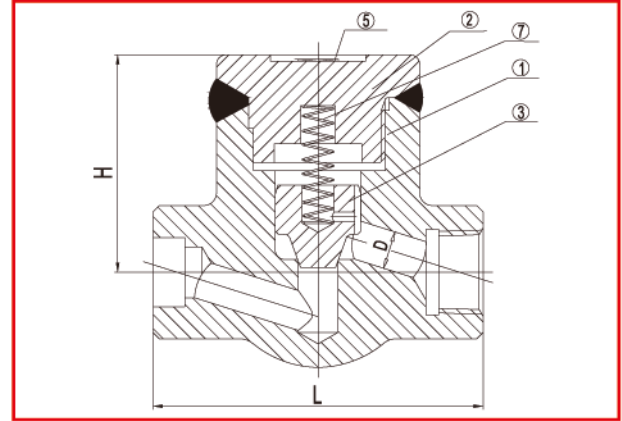
- 1 El diseño de junta empotrada entre el cuerpo y el capó sujeta la junta espiral de acero inoxidable, asegurando la integridad del sellado entre el cuerpo y el capó.
- 2 Disco guiado por el cuerpo para garantizar una alineación perfecta del disco y el asiento, incluso en condiciones de gran flujo y alta velocidad.
- 3 Los pistones son estándar; los discos oscilantes están disponibles bajo pedido



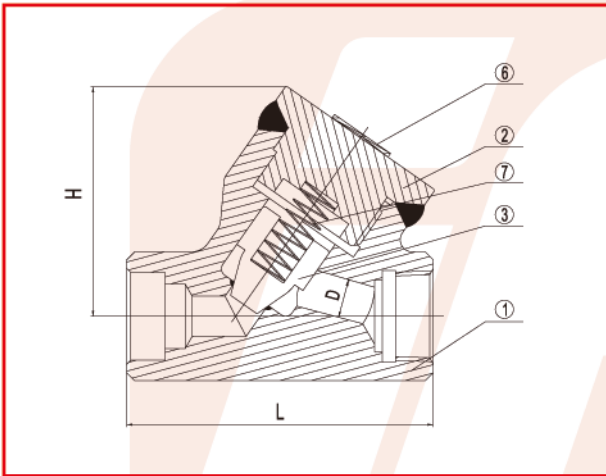
Drawing



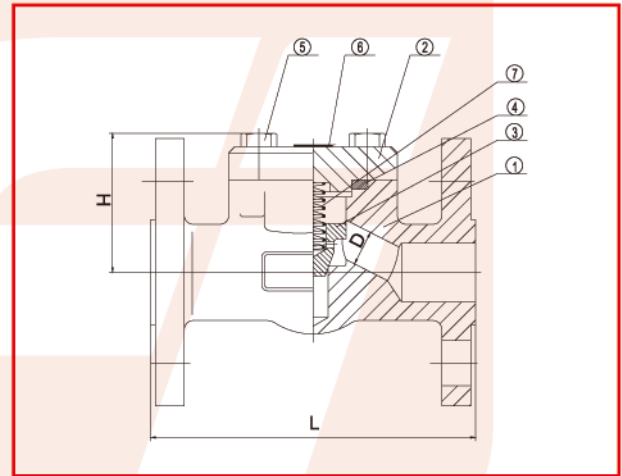
Bolted Cover



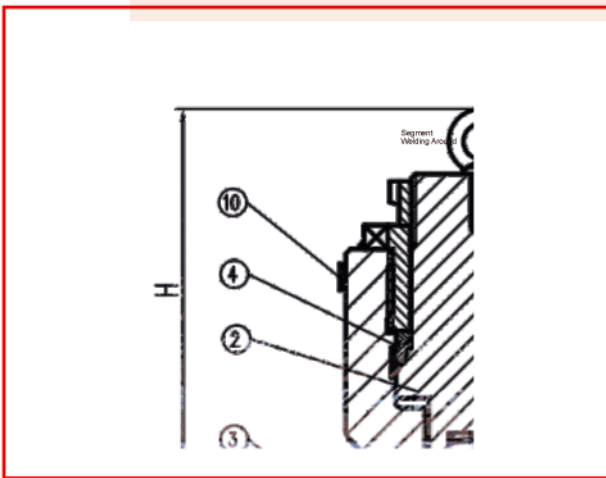
Welded Cover



Y Pattern Welded Cover



Integral Flanged Ends



Pressure Seal Bonnet Connection



Material List

Material List

NO.	Description of Parts	Material		
		Standard	High Temperature	Stainless Steel
1	BODY	ASTM A105/STL.OVERLAY	ASTM A182-F11/F22/STL OVERLAY	ASTM A182-F304/F316/STL OVERLAY
2	BONNET	ASTM A105	ASTM A182-F11/F22	ASTM A182-F304/F316
3	DISC	ASTM A182-F6a	ASTM A182-F6a	ASTM A182-F304/F316
4	GASKET	304 SPIRAL WOUND GRAPHITE	304 SPIRAL WOUND GRAPHITE	304/316 SPIRAL WOUND GRAPHITE
5	STUD	ASTM A193-B7	ASTM A193-B16	ASTM A193-B8
6	NAME PLATE	ASTM A276 304	ASTM A276 304	ASTM A276 304
7	SPRING	ASTM A276 316	ASTM A276-316	ASTM A276-316

Class 800 Bolted Cover or Welded Cover

Regular and Full Port - API602 . Outside Screw & Yoke - Threaded and Socket Weld Ends

Regular Port	Size	3/8		1/2		3/4		1		1-1/4		1-1/2		2	
Full Port	Size	1/4		3/8		1/2		3/4		1		1-1/4		1-1/2	
End to End	L	mm	in	mm	in	mm	in	mm	in	mm	in	mm	in	mm	in
Bore Diameter	D	6.5	0.26	9.5	0.37	12.7	0.50	17.5	0.69	23	0.91	28.6	1.13	36.5	1.44
Center to Top (Open)	H	48	1.89	48	1.89	53	2.09	64	2.52	80	3.15	80	3.15	100	3.94
Approx. Weight	Kg/Lb	1	2.20	1	2.20	1.5	3.31	2	4.41	4.5	9.92	6	13.23	7.5	16.53

Class 900-1500 Bolted Cover or Welded Cover

Regular and Full Port - API602 . Outside Screw & Yoke - Threaded and Socket Weld Ends

Regular Port	Size	1/2		3/4		1		1-1/4		1-1/2		2	
Full Port	Size	3/8		1/2		3/4		1		1-1/4		1-1/2	
End to End	L	mm	in	mm	in	mm	in	mm	in	mm	in	mm	in
Bore Diameter	D	9	0.35	12	0.47	15	0.59	21	0.83	27	1.06	32	1.26
Center to Top (Open)	H	56	2.20	62	2.44	72	2.83	92.5	3.64	92.5	3.64	111	4.37
Approx. Weight	Kg/Lb	1.5	3.31	2.5	5.51	4	8.82	6	13.23	8.5	18.74	14.5	31.97

Class 900-1500 Pressure Seal Bonnet

Regular and Full Port - API602 . Outside Screw & Yoke - Threaded and Socket Weld Ends

Regular Port	Size	1/2		3/4		1		1-1/4		1-1/2		2	
Full Port	Size	3/8		1/2		3/4		1		1-1/4		1-1/2	
End to End	L	mm	in	mm	in	mm	in	mm	in	mm	in	mm	in
Bore Diameter	D	9	0.35	12	0.47	15	0.59	21	0.83	27	1.06	30	1.18
Center to Top (Open)	H	188	7.40	188	7.40	196	7.72	220	8.66	220	8.66	238	9.37
Approx. Weight	Kg/Lb	5	11.02	6.5	14.33	8	17.64	13.5	29.76	15	33.07	25	55.12

Class 2500 Welded Cover

Regular and Full Port - ASME B16.34. Outside Screw & Yoke - Threaded and Socket Weld Ends

Regular Port	Size	1/2		3/4		1		1-1/4		1-1/2		2	
Full Port	Size	3/8		1/2		3/4		1		1-1/4		1-1/2	
End to End	L	mm	in	mm	in	mm	in	mm	in	mm	in	mm	in
Bore Diameter	D	9	0.35	12	0.47	15	0.59	-	-	27	1.06	27	1.06
Center to Top (Open)	H	90	3.54	100	3.94	115	4.53	-	-	140	5.51	160	6.30
Approx. Weight	Kg/Lb	3.5	7.72	5.5	12.13	10.5	23.15	-	-	18.5	40.79	25	55.12



Dimension & Weight

Class 2500 Pressure Seal Bonnet

Regular and Full Port - ASME B16.34. Outside Screw & Yoke - Threaded and Socket Weld Ends

Regular Port	Size	1/2		3/4		1		1-1/4		1-1/2		2	
Full Port	Size	3/8		1/2		3/4		1		1-1/4		1-1/2	
End to End	L	mm	in	mm	in	mm	in	mm	in	mm	in	mm	in
		120	4.72	140	5.51	186	7.32	-	-	232	9.13	279	10.98
Bore Diameter	D	9	0.35	12	0.47	15	0.59	-	-	27	1.06	27	1.06
Center to Top (Open)	H	172	6.77	195	7.68	214	8.43	-	-	241	9.49	260	10.24
Approx. Weight	Kg/Lb	3.5	7.72	5.5	12.13	10.5	23.15	-	-	18.5	40.79	25	55.12

Class 800 Y Pattern Welded Bonnet

Full Port - API602. Outside Screw & Yoke - Threaded and Socket Weld Ends

Full Port	Size	3/8		1/2		3/4		1		1-1/4		1-1/2		2	
End to End	L	mm	in	mm	in	mm	in	mm	in	mm	in	mm	in	mm	in
		80	3.15	80	3.15	90	3.54	110	4.33	125	4.92	155	6.10	180	7.09
Bore Diameter	D	9.5	0.37	12	0.47	17	0.67	23	0.91	28	1.10	36	1.42	44	1.73
Center to Top (Open)	H	68.5	2.70	68.5	2.70	78.5	3.09	89.5	3.52	105.5	4.15	123.5	4.86	147.5	5.81
Approx. Weight	Kg/Lb	1	2.20	1.5	3.31	2	4.41	4.5	9.92	8	17.64	8	17.64	11	24.25

Class 900-1500 Y Pattern Welded Bonnet

Full Port - API602. Outside Screw & Yoke - Threaded and Socket Weld Ends

Full Port	Size	3/8		1/2		3/4		1		1-1/4		1-1/2		2	
End to End	L	mm	in	mm	in	mm	in	mm	in	mm	in	mm	in	mm	in
		80	3.15	90	3.54	110	4.33	125	4.92	155	6.10	180	7.09	200	7.87
Bore Diameter	D	9.5	0.37	12	0.47	15	0.59	21	0.83	27	1.06	32	1.26	38	1.50
Center to Top (Open)	H	71.8	2.83	82.5	3.25	84.2	3.31	104.7	4.12	121.7	4.79	143.3	5.64	155.2	6.11
Approx. Weight	Kg/Lb	2	4.41	3	6.61	4.2	9.26	5.2	11.46	9.5	20.94	11	24.25	15	33.07

Class 150-300-600 Overall-end Flange, Bolted Bonnet, Structure Length-ASME B16.10

Regular Port - API 602. Overall-end Flange - ASME B16.5

Regular Port	Size	1/2		3/4		1		1-1/4		1-1/2		2	
End to End	L	mm	in	mm	in	mm	in	mm	in	mm	in	mm	in
	Class 150	108	4.25	117	4.61	127	5	140	5.51	165	6.50	203	7.99
	Class 300	152	5.98	178	7.01	203	7.99	-	-	229	9.02	267	10.51
	Class 600	165	6.50	190	7.48	216	8.50	-	-	241	9.49	292	11.50
Bore Diameter	D	9.50	0.37	12.7	0.50	17.5	0.69	23	0.91	28.6	1.13	36.5	1.44
Center to Top (Open)	H	50	1.97	54	2.13	68	2.68	78	3.07	78	3.07	96	3.78
Approx. Weight	Class 150	2.5	5.51	3.3	7.28	4.3	9.48	6.5	14.33	9	19.84	13	28.66
	Class 300	3.0	6.61	3.8	8.38	5.2	11.46	-	-	10.5	23.15	15	33.07
	Class 600	3.5	7.72	4.5	9.92	6.0	13.23	-	-	12	26.46	17	37.48

Class 900-1500 Overall-end Flange, Bolted Bonnet, Structure Length-ASME B16.10

Regular Port - API 602. Overall-end Flange - ASME B16.5

Regular Port	Size	1/2		3/4		1		1-1/2		2	
End to End	L	mm	in	mm	in	mm	in	mm	in	mm	in
		216	8.50	229	9.02	254	10	305	12.01	368	14.49
Bore Diameter	D	9	0.35	12	0.47	15	0.59	27	1.06	32	1.26
Center to Top (Open)	H	53	2.09	60	2.36	70	2.76	86	3.39	105	4.13
Approx. Weight	Kg/Lb	6	13.23	7.5	16.53	12	26.46	21	46.30	32.5	71.65