



IMPORFERRI
IMPORTADORA FERRETERA INDUSTRIAL

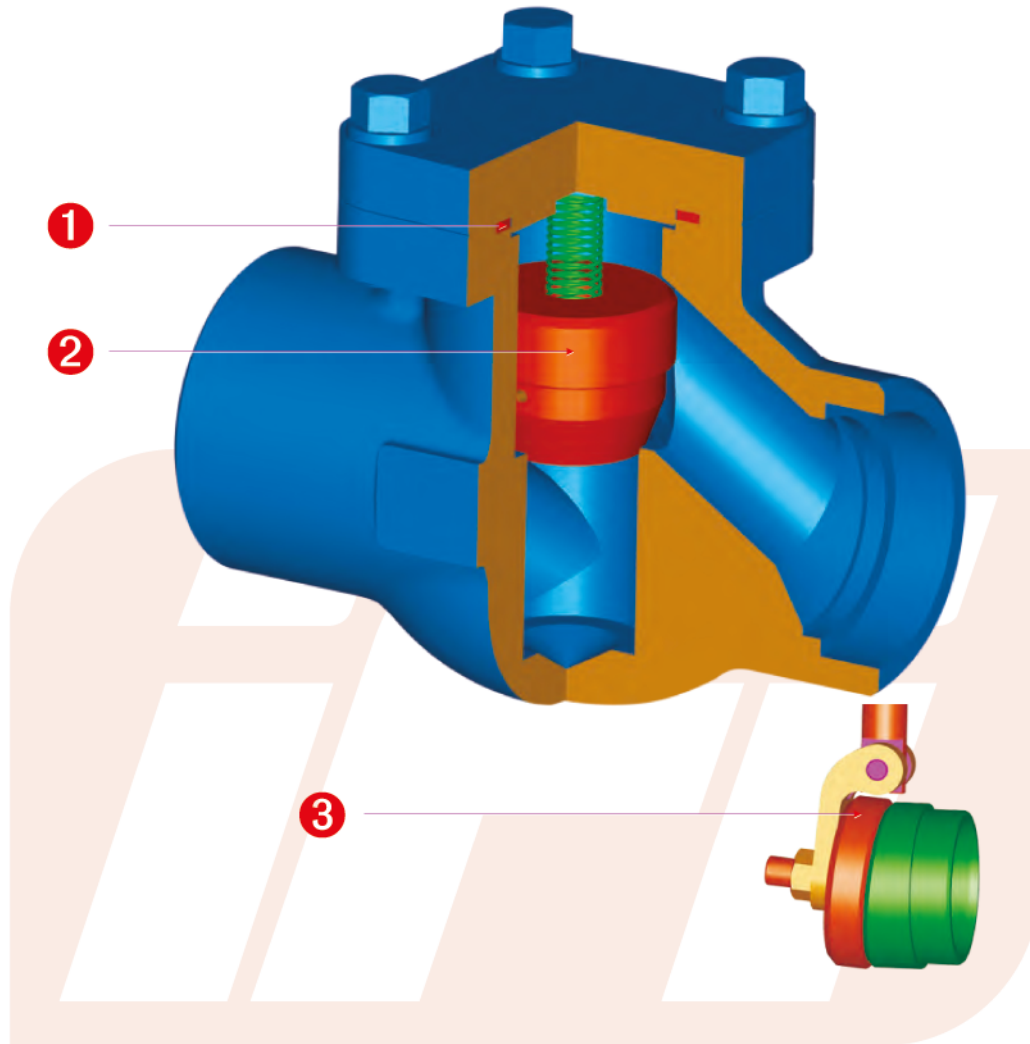
07

VÁLVULA SWING CHECK





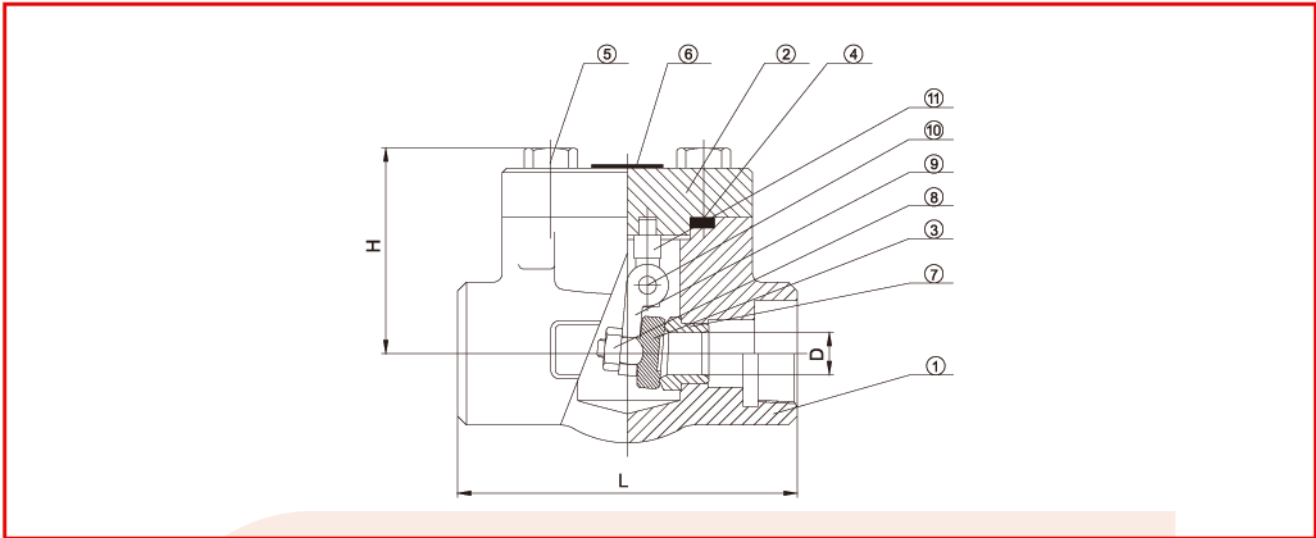
SWING CHECK VALVE - VÁLVULA DE RETENCIÓN TIPO CLAPETA



- 1 El diseño de junta empotrada entre el cuerpo y el capó sujeta la junta espiral de acero inoxidable, asegurando la integridad del sellado entre el cuerpo y el capó.
- 2 Disco guiado por el cuerpo para garantizar una alineación perfecta del disco y el asiento, incluso en condiciones de gran flujo y alta velocidad.
- 3 Los pistones son estándar; los discos oscilantes están disponibles bajo pedido



Drawing



Bolted Cover

Material List

NO.	Description of Parts	Material		
		Standard	High Temperature	Stainless Steel
1	BODY	ASTM A105	ASTM A182-F11/F22	ASTM A182-F304/F316
2	BONNET	ASTM A105	ASTM A182-F11/F22	ASTM A182-F304/F316
3	DISC	ASTM A182-F6a	ASTM A182-F6a	ASTM A182-F304/F316
4	GASKET	304SS/SPIRAL WOUND GRAPHITE	304SS/SPIRAL WOUND GRAPHITE	304/316SS/SPIRAL WOUND GRAPHITE
5	STUD	ASTM A193-B7	ASTM A193-B16	ASTM A193-B8
6	NAME PLATE	ASTM A240 304	ASTM A240-304	ASTM A240-304
7	SEAT RING	ASTM A276-410/STL.OVERLAY	ASTM A276-410/STL.OVERLAY	ASTM A182-F304/F316/STL OVERLAY
8	DISC NUT	ASTM A276-304	ASTM A276-304	ASTM A276-304/316
9	HINGE	ASTM A216-WCB	ASTM A217-WC6/WC9	ASTM A351-CF8/CF8M
10	HINGE PIN	ASTM A276-410	ASTM A276-410	ASTM A276-F304/316
11	SUPPORT	ASTM A105	ASTM A182-F11/F22	ASTM A182-F304/F316

Class 800 Bolted Bonnet

Regular and Full Port - API602. Threaded and Socket Weld Ends

Regular Port	Size	1/2		3/4		1		1-1/4		1-1/2		2	
Full Port	Size	3/8		1/2		3/4		3/4		1-1/4		1-1/2	
End to End	L	mm	in	mm	in	mm	in	mm	in	mm	in	mm	in
		76	2.99	86	3.39	102	4.02	118	4.65	118	4.65	132	5.20
Bore Diameter	D	9.5	0.37	12.7	0.50	17.5	0.69	23.8	0.94	28.6	1.13	36.5	1.44
Center to Top (Open)	H	48.5	1.91	52	2.05	67	2.64	88	3.46	88	3.46	101	3.98
Approx. Weight	Kg/Lb	1.5	3.31	2.3	5.07	2.8	6.17	4.0	8.82	5.7	12.57	7.7	16.98



Material List

Class 900-1500 Bolted Bonnet

Regular and Full Port - API602. Threaded and Socket Weld Ends

Regular Port	Size	1/2		3/4		1		1-1/4		1-1/2		2	
Full Port	Size	3/8		1/2		3/4		3/4		1-1/4		1-1/2	
End to End	L	mm	in	mm	in	mm	in	mm	in	mm	in	mm	in
		90	3.54	104	4.09	120	4.72	130	5.12	130	5.12	150	5.91
Bore Diameter	D	9.5	0.37	12.7	0.50	16	0.63	27	1.06	27	1.06	35	1.38
Center to Top (Open)	H	57.5	2.26	66	2.60	78.5	3.09	106	4.17	106	4.17	129	5.08
Approx. Weight	Kg/Lb	1.8	3.97	2.5	5.51	3.8	8.38	6.5	14.33	6.5	14.33	10	22.05

Class 150-300-600 Overall-end Flange, Bolted Bonnet, Structure Length-ASME B16.10

Regular Port - API 602. Overall-end Flange - ASME B16.5

Regular Port	Size	1/2		3/4		1		1-1/2		2		
End to End	L	mm	in	mm	in	mm	in	mm	in	mm	in	
		Class 150	108	4.25	117	4.61	127	5.00	165	6.50	203	7.99
		Class 300	152	5.98	178	7.01	216	8.50	241	9.49	267	10.51
		Class 600	165	6.50	190	7.48	216	8.50	241	9.49	292	11.50
Bore Diameter	D	9.50	0.37	12.7	0.50	17.5	0.69	28.6	1.13	36.5	1.44	
Center to Top (Open)	H	48.5	1.91	52	2.05	67	2.64	88	3.46	101	3.98	
Approx. Weight	Kg/Lb	Class 150	2.5	5.51	3.3	7.28	4.3	9.48	9.0	19.84	13	28.66
		Class 300	3.0	6.61	3.8	8.38	5.2	11.46	10.5	23.15	15	33.07
		Class 600	3.5	7.72	4.5	9.92	6	13.23	12	26.46	17	37.48

Class 2500 Welded Bonnet

Regular and Full Port - ASME B16.34. Outside Screw & Yoke - Threaded and Socket Weld Ends

Regular Port	Size	1/2		3/4		1		1-1/2		2	
Full Port	Size	3/8		1/2		3/4		1		1-1/4	
End to End	L	mm	in	mm	in	mm	in	mm	in	mm	in
		178	7.01	178	7.01	186	7.32	232	9.13	279	10.98
Bore Diameter	D	9.0	0.35	12.0	0.47	15	0.59	27	1.06	34.5	1.36
Center to Top (Open)	H	81	3.19	81	3.19	94	3.70	158	6.22	180	7.09
Approx. Weight	Kg/Lb	4.5	9.92	7.5	16.53	8.0	17.64	15	33.07	19.5	42.99