



**IMPORFERRI**  
IMPORTADORA FERRETERA INDUSTRIAL

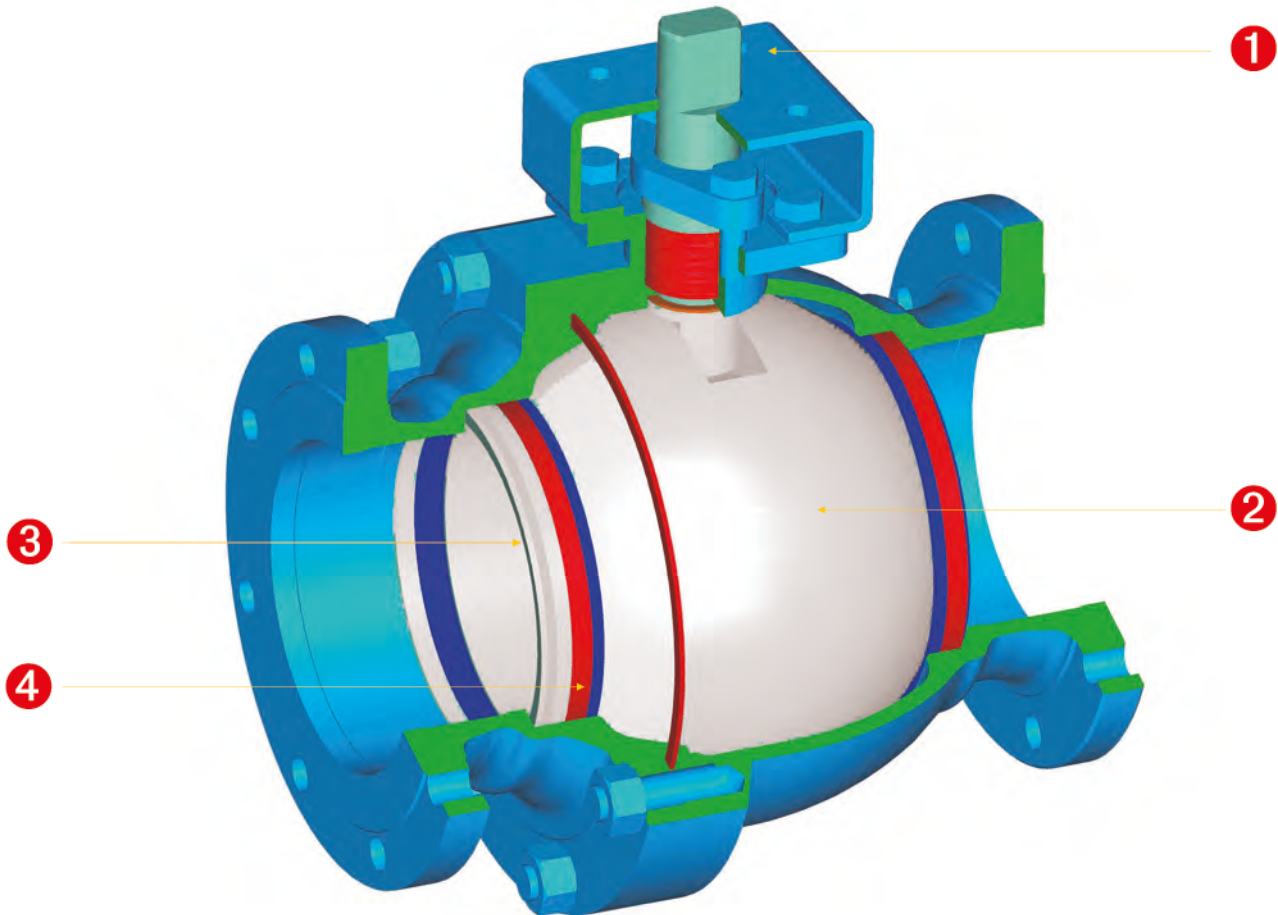
08

# VÁLVULA BOLA FLOTANTE





## FLOATING BALL VALVE - VÁLVULA DE BOLA FLOTANTE



- 1 Diseño de brida superior según ISO 5211, actuadores opcionales de caja de engranajes, actuador eléctrico y actuador neumático disponibles.
- 2 Bola y asiento con revestimiento duro para satisfacer el requisito de alta dureza, resistencia a altas temperaturas y resistencia al desgaste.
- 3 Con la ayuda del resorte precargado, el asiento puede mantener el sellado incluso a baja presión de funcionamiento.
- 4 Varios diseños de asiento para elegir, entre los que está disponible el diseño de asiento a prueba de polvo

✉ [ventas@imporferri.com](mailto:ventas@imporferri.com) ☎ +593 98 903 6764 📍 Lotización Puertas de Alcalá, Pasaje S/N, Lote 1, La Planicie - San José de Morán, Quito-Ecuador

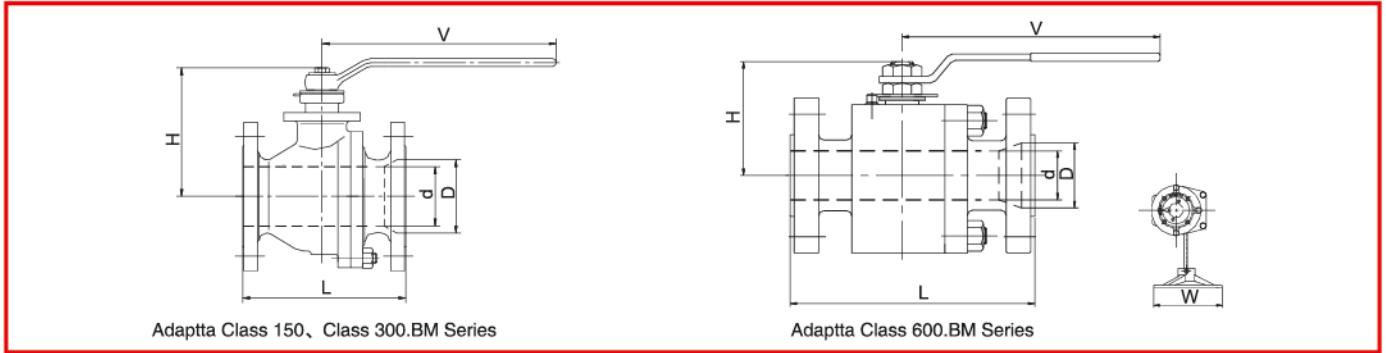
Aseguramos tu inversión garantizando que tus materiales cumplan con las certificaciones internacionales de calidad. Todos nuestros materiales incluyen certificado de calidad.


**Material List**

Part	Standard	Sour Service	Stainless Steel	Low Temperature Service
BODY	ASTMA105N	ASTMA105N	ASTMA182 F316	ASTMA350 LF2
BONNET	ASTMA105N	ASTMA105N	ASTMA182 F316	ASTMA350 LF2
BALL	ASTMA182 F316+WC	ASTMA182 F316+WC	ASTMA182 F316+WC	ASTMA182 F316+WC
LEVER	AISI 1045	AISI 1045	ASTMA276 304	ASTMA276 304
GLAND FLANGE	AISI 1035	AISI 1035	ASTMA276 304	ASTMA276 304
SEAT RING	ASTMA182 F316+WC	ASTMA182 F316+WC	ASTMA182 F316+WC	ASTMA182 F316+WC
SEAT GLAND	ASTMA182 F316	ASTMA182 F316	ASTMA182 F316	ASTMA182 F316
STEM	17-4PH	17-4PH	17-4PH	17-4PH
GLAND	ASTMA182 F304L	ASTMA182 F304L	ASTMA182 F304L	ASTMA182 F304L
THRUST WASHER	ASTMA182 F316L+N2	ASTMA182 F316L+N2	ASTMA182 F316L+N2	ASTMA182 F316L+N2
GASKET	316+GRAPHITE	316+GRAPHITE	316+GRAPHITE	316+GRAPHITE
PACKING	GRAPHITE	GRAPHITE	GRAPHITE	GRAPHITE
GASKET	GRAPHITE	GRAPHITE	GRAPHITE	GRAPHITE
BOLT	ASTMA193 B7	ASTMA193 B7M	ASTMA193 B8	ASTMA320 L7M
SPRING	INCONEL X-750	INCONEL X-750	INCONEL X-750	INCONEL X-750
STUD	ASTMA193 B7	ASTMA193 B7M	ASTMA193 B8	ASTMA320 L7M
NUT	ASTMA194 2H	ASTMA194 2HM	ASTMA194 8	ASTMA194 7M
COVER FLANGE	ASTMA216 WCB	ASTMA216 WCB	ASTMA182 F316	ASTMA350 LF2
PIN	ASTMA276 420	ASTMA276 420	ASTMA276 420	ASTMA276 420
GASKET	316+GRAPHITE	316+GRAPHITE	316+GRAPHITE	316+GRAPHITE
STOP PLATE	AISI 1045	AISI 1045	ASTMA276 420	ASTMA276 420
RETAINER	AISI 1066	AISI 1066	ASTMA276 304	ASTMA276 304
BOLT	AISI 1035	AISI 1035	ASTMA276 304	ASTMA276 304
WASHER	AISI 1035	AISI 1035	ASTMA276 304	ASTMA276 304
PIN	AISI 1035	AISI 1035	ASTMA276 304	ASTMA276 304
SCREW	AISI 1035	AISI 1035	ASTMA276 304	ASTMA276 304
LOCK PLATE	ASTMA276 304	ASTMA276 304	ASTMA276 304	ASTMA276 304
PIN	AISI 1035	AISI 1035	ASTMA276 304	ASTMA276 304



Dimension & Weight



Class 150 Full bore ( Floating )

Size		D		L				H		W		V		Weight	
in	mm	in	mm	RF		BW		in	mm	in	mm	in	mm	lb	Kg
1/2	15	0.51	13	4.25	108	5.49	139.5	2.23	56.6			5.51	140	4.41	2
3/4	20	0.75	19	4.61	117	6.00	152.5	2.32	59			5.51	140	6.61	3
1	25	0.98	25	5.00	127	6.50	165	3.29	83.5			8.46	215	8.82	4
1-1/2	40	1.50	38	6.50	165	7.52	191	4.63	117.5			10.43	265	17.64	8
2	50	2.01	51	7.01	178	8.50	216	5.15	130.8			16.93	430	22.05	10
3	80	2.99	76	7.99	203	11.14	283	6.90	175.3			41.73	1060	35.27	16
4	100	4.02	102	9.02	229	12.01	305	7.65	194.3			41.73	1060	88.18	40

Class 150 Reduced bore ( Floating )

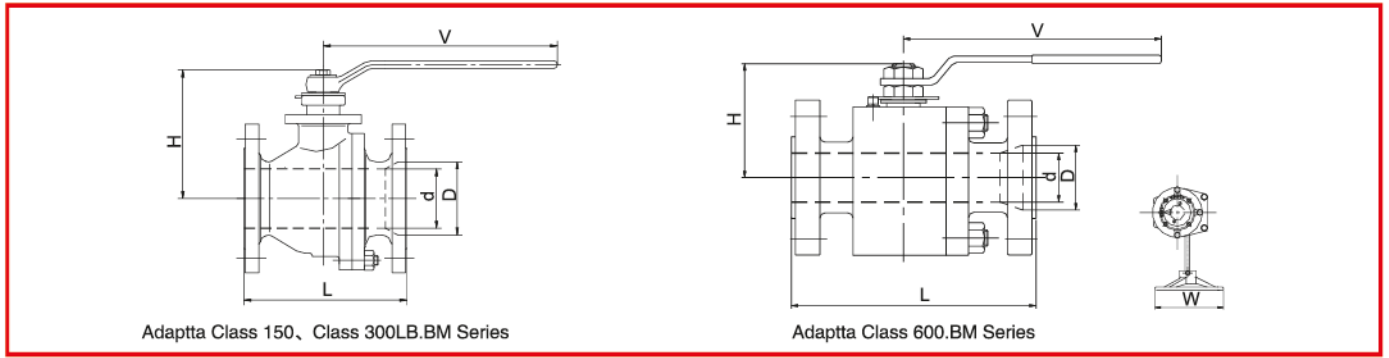
Size		D		d	L				H		W		V		Weight		
in	mm	in	mm	in	mm	RF		BW		in	mm	in	mm	in	mm	lb	Kg
1/2*3/8	15*10	0.51	13	0.28	7	4.25	108	5.49	139.5	1.93	49			5.51	140	3.31	1.5
3/4*1/2	20*15	0.75	19	0.51	13	4.61	117	6.00	152.5	2.23	56.6			5.51	140	4.41	2
1*3/4	25*20	0.98	25	0.75	19	5.00	127	6.50	165	2.32	59			5.51	140	6.61	3
1-1/2*1	40*25	1.50	38	0.98	25	6.50	165	7.52	191	3.29	83.5			8.46	215	15.43	7
2*1-1/2	50*40	2.01	51	1.50	38	7.01	178	8.50	216	4.63	117.5			10.43	265	17.64	8
3*2	80*50	2.99	76	2.01	51	7.99	203	11.14	283	5.15	130.8			10.43	265	30.86	14
4*3	100*80	4.02	102	2.99	76	9.02	229	12.01	305	6.90	175.3			16.93	430	79.37	36

Class 300 Full bore ( Floating )

Size		D		L				H		W		V		Weight	
in	mm	in	mm	RF		BW		in	mm	in	mm	in	mm	lb	Kg
1/2	15	0.51	13	5.51	140	5.51	140	2.23	56.6			5.51	140	6.61	3
3/4	20	0.75	19	5.98	152	5.98	152	2.32	59			5.51	140	8.82	4
1	25	0.98	25	6.50	165	6.50	165	3.29	83.5			8.46	215	13.23	6
1-1/2	40	1.50	38	7.52	191	7.52	191	4.63	117.5			10.43	265	24.25	11
2	50	2.01	51	8.50	216	8.50	216	5.15	130.8			16.93	430	33.07	15
3	80	2.99	76	11.14	283	11.14	283	6.90	175.3			41.73	1060	103.62	47
4	100	4.02	102	12.01	305	12.01	305	10.04	255	11.81	300			149.91	68

✉ ventas@imporferri.com ☎ +593 98 903 6764 📍 Lotización Puertas de Alcalá, Pasaje S/N, Lote 1, La Planicie - San José de Morán, Quito-Ecuador

Aseguramos tu inversión garantizando que tus materiales cumplan con las certificaciones internacionales de calidad. Todos nuestros materiales incluyen certificado de calidad.



### Class 300 Reduced bore ( Floating )

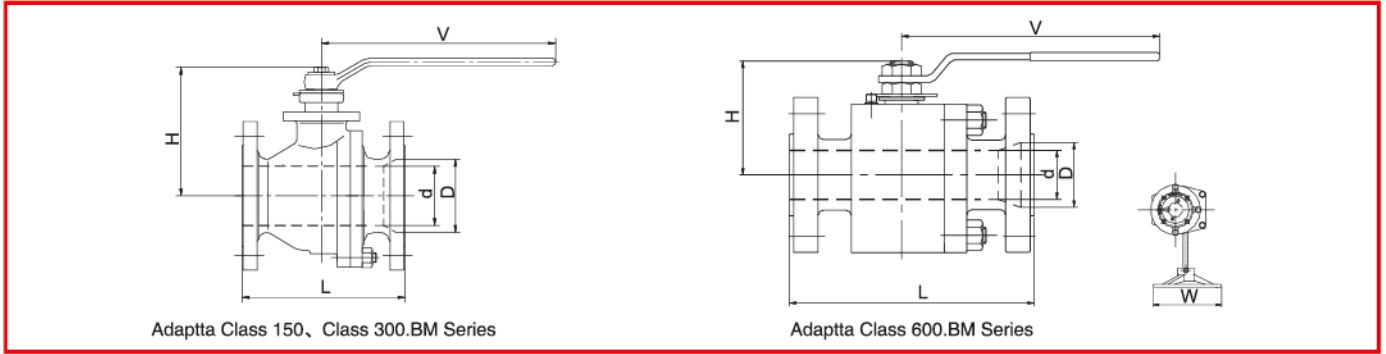
Size		D		d		L				H		W		V		Weight	
in	mm	in	mm	in	mm	RF		BW		in	mm	in	mm	in	mm	lb	Kg
1/2*3/8	15*10	0.51	13	0.28	7	5.51	140	5.51	140	2.14	54.3			5.51	140	4.41	2
3/4*1/2	20*15	0.75	19	0.51	13	5.98	152	5.98	152	2.23	56.6			5.51	140	6.61	3
1*3/4	25*20	0.98	25	0.75	19	6.50	165	6.50	165	2.32	59			5.51	140	8.82	4
1-1/2*1	40*25	1.50	38	0.98	25	7.52	191	7.52	191	3.29	83.5			8.46	215	19.84	9
2*1-1/2	50*40	2.01	51	1.50	38	8.50	216	8.50	216	4.63	117.5			10.43	265	28.66	13
3*2	80*50	2.99	76	2.01	51	11.14	283	11.14	283	5.15	130.8			16.93	430	99.21	45
4*3	100*80	4.02	102	2.99	76	12.01	305	12.01	305	6.90	175.3			41.73	1060	143.30	65

### Class 400 Full bore ( Floating )

Size		D		L						H		W		V		Weight	
in	mm	in	mm	RF		BW		RTJ		in	mm	in	mm	in	mm	lb	Kg
1/2	15	0.51	13	6.50	165	6.50	165	6.46	164	3.86	98			5.91	150	8.82	4
3/4	20	0.75	19	7.52	191	7.52	191	7.52	191	4.53	115			7.09	180	13.23	6
1	25	0.98	25	8.50	216	8.50	216	8.50	216	4.74	120.5			10.43	265	24.25	11
1-1/2	40	1.50	38	9.49	241	9.49	241	9.49	241	6.26	159			11.81	300	55.11	25
2	50	2.01	51	11.50	292	11.50	292	11.61	295	11.34	288	11.81	300			110.23	50
3	80	2.99	76	14.02	356	14.02	356	14.13	359	11.89	302	15.75	400			121.25	55
4	100	4.02	102	15.98	406	15.98	406	16.14	410	12.60	320	23.62	600			414.46	188

### Class 400 Reduced bore ( Floating )

Size		D		d		L				H		W		V		Weight			
in	mm	in	mm	in	mm	RF		BW		RTJ		in	mm	in	mm	in	mm	lb	Kg
1/2*3/8	15*10	0.51	13	0.28	7	6.50	165	6.50	165	6.46	164	3.19	81			5.91	150	6.61	3
3/4*1/2	20*15	0.75	19	0.51	13	7.52	191	7.52	191	7.52	191	3.86	98			5.91	150	11.02	5
1*3/4	25*20	0.98	25	0.75	19	8.50	216	8.50	216	8.50	216	4.53	115			7.09	180	19.84	9
1-1/2*1	40*25	1.50	38	0.98	25	9.49	241	9.49	241	9.49	241	4.74	120.5			10.43	265	48.50	22
2*1-1/2	50*40	2.01	51	1.50	38	11.50	292	11.50	292	11.61	295	6.26	159			11.81	300	55.11	25
3*2	80*50	2.99	76	2.01	51	14.02	356	14.02	356	14.13	359	11.34	288	11.81	300			112.43	51
4*3	100*80	4.02	102	2.99	76	15.98	406	15.98	406	16.14	410	11.89	302	15.75	400			399.03	181



### Class 600 Full bore ( Floating )

Size		D		L						H		W		V		Weight	
in	mm	in	mm	RF		BW		RTJ		in	mm	in	mm	in	mm	lb	Kg
1/2	15	0.51	13	6.50	165	6.50	165	6.46	164	3.86	98			5.91	150	8.82	4
3/4	20	0.75	19	7.52	191	7.52	191	7.52	191	4.53	115			7.09	180	13.23	6
1	25	0.98	25	8.50	216	8.50	216	8.50	216	4.74	120.5			10.43	265	24.25	11
1-1/2	40	1.50	38	9.49	241	9.49	241	9.49	241	6.26	159			11.81	300	55.11	25
2	50	2.01	51	11.50	292	11.50	292	11.61	295	11.34	288	11.81	300			110.23	50
3	80	2.99	76	14.02	356	14.02	356	14.13	359	11.89	302	15.75	400			121.25	55
4	100	4.02	102	17.01	432	17.01	432	17.13	435	12.60	320	23.62	600			414.46	188

### Class 600 Reduced bore ( Floating )

Size		D		d		L						H		W		V		Weight	
in	mm	in	mm	in	mm	RF		BW		RTJ		in	mm	in	mm	in	mm	lb	Kg
1/2*3/8	15*10	0.51	13	0.28	7	6.50	165	6.50	165	6.46	164	3.23	82			5.91	150	6.61	3
3/4*1/2	20*15	0.75	19	0.51	13	7.52	191	7.52	191	7.52	191	3.86	98			5.91	150	11.02	5
1*3/4	25*20	0.98	25	0.75	19	8.50	216	8.50	216	8.50	216	4.53	115			7.09	180	19.84	9
1-1/2*1	40*25	1.50	38	0.98	25	9.49	241	5.55	241	9.49	241	4.74	120.5			10.43	265	48.50	22
2*1-1/2	50*40	2.01	51	1.50	38	11.50	292	7.56	292	11.50	292	6.26	159			11.81	300	55.11	25
3*2	80*50	2.99	76	2.01	51	14.02	356	14.02	356	14.13	359	11.34	288	11.81	300			112.43	51
4*3	100*80	4.02	102	2.99	76	17.01	432	17.01	432	17.13	435	11.89	302	15.75	400			399.03	181

### Class 900 Full bore ( Floating )

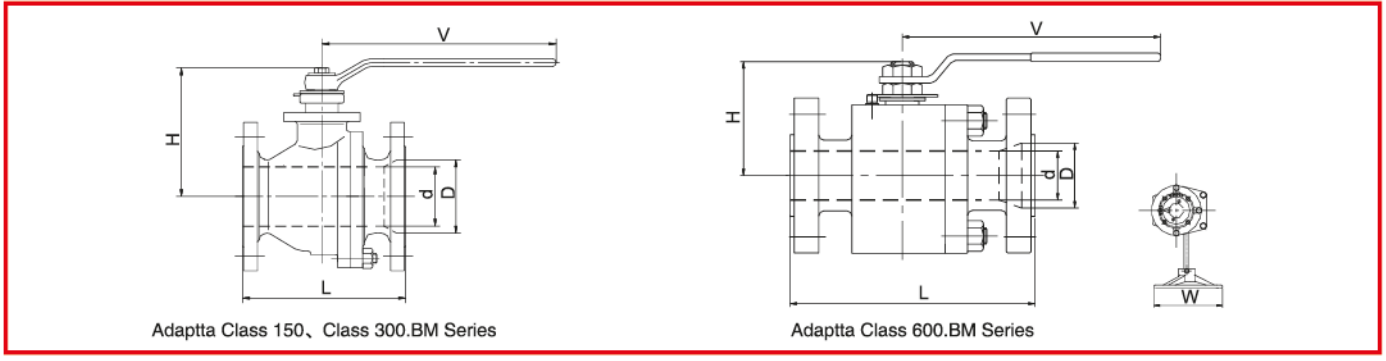
Size		D		L						H		W		V		Weight	
in	mm	in	mm	RF		BW		RTJ		in	mm	in	mm	in	mm	lb	Kg
1/2	15	0.51	13	8.50	216	8.50	216	8.50	216	4.41	112			7.09	180	22.05	10
3/4	20	0.75	19	9.02	229	9.02	229	9.02	229	4.75	120.5			10.43	265	28.66	13
1	25	0.98	25	10.00	254	10.00	254	10.00	254	6.24	158.5			11.81	300	33.07	15
1-1/2	40	1.50	38	12.01	305	12.01	305	12.01	305	7.48	190			15.75	400	105.82	48
2	50	2.01	51	14.49	368	14.49	368	14.61	371	11.42	290	15.75	400			158.73	72

### Class 900 Reduced bore ( Floating )

Size		D		d		L						H		W		V		Weight	
in	mm	in	mm	in	mm	RF		BW		RTJ		in	mm	in	mm	in	mm	lb	Kg
1/2*3/8	15*10	0.51	13	0.28	7	8.50	216	8.50	216	8.50	216	4.17	106			6.50	165	17.64	8
3/4*1/2	20*15	0.75	19	0.51	13	9.02	229	9.02	229	9.02	229	4.41	112			7.09	180	19.84	9
1*3/4	25*20	0.98	25	0.75	19	10.00	254	10.00	254	10.00	254	4.74	120.5			10.43	265	26.46	12
1-1/2*1	40*25	1.50	38	0.98	25	12.01	305	12.01	305	12.01	305	6.24	158.5			11.81	300	30.86	14
2*1-1/2	50*40	2.01	51	1.50	38	14.49	368	14.49	368	14.61	371	7.49	190			15.75	400	99.21	45

✉ ventas@imporferri.com ☎ +593 98 903 6764 📍 Lotización Puertas de Alcalá, Pasaje S/N, Lote 1, La Planicie - San José de Morán, Quito-Ecuador

Aseguramos tu inversión garantizando que tus materiales cumplan con las certificaciones internacionales de calidad. Todos nuestros materiales incluyen certificado de calidad.



### Class 1500 Full bore ( Floating )

Size		D		L						H		W		V		Weight	
in	mm	in	mm	RF		BW		RTJ		in	mm	in	mm	in	mm	lb	Kg
1/2	15	0.51	13	8.50	216	8.50	216	8.50	216	4.41	112			7.09	180	22.05	10
3/4	20	0.75	19	9.02	229	9.02	229	9.02	229	4.25	120.5			10.43	265	28.66	13
1	25	0.98	25	10.00	254	10.00	254	10.00	254	6.24	158.5			11.81	300	33.07	15
1-1/2	40	1.50	38	12.01	305	12.01	305	12.01	305	7.49	190			15.75	400	105.82	48
2	50	2.01	51	14.49	368	14.49	368	14.61	371	11.42	290	15.75	400			158.73	72

### Class 1500 Reduced bore ( Floating )

口径		D		d		L						H		W		V		Weight	
in	mm	in	mm	in	mm	RF		BW		RTJ		in	mm	in	mm	in	mm	lb	Kg
1/2*3/8	15*10	0.51	13	0.28	7	8.50	216	8.50	216	8.50	216	4.17	106			6.50	165	17.64	8
3/4*1/2	20*15	0.75	19	0.51	13	9.02	229	9.02	229	9.02	229	4.41	112			7.09	180	19.84	9
1*3/4	25*20	0.98	25	0.75	19	10.00	254	10.00	254	10.00	254	4.74	120.5			10.43	265	26.46	12
1-1/2*1	40*25	1.50	38	0.98	25	12.01	305	12.01	305	12.01	305	6.24	158.5			11.81	300	30.86	14
2*1-1/2	50*40	2.01	51	1.50	38	14.49	368	14.49	368	14.61	371	7.48	190			15.75	400	99.21	45

### Class 2500 Full bore ( Floating )

口径		D		L						H		W		V		Weight	
in	mm	in	mm	RF		BW		RTJ		in	mm	in	mm	in	mm	lb	Kg
1/2	15	0.51	13	10.39	264	10.39	264	10.39	264	4.53	115			7.09	180	26.46	12
3/4	20	0.75	19	10.75	273	10.75	273	10.75	273	4.65	118			10.43	265	35.27	16
1	25	0.98	25	12.13	308	12.13	308	12.13	308	6.97	177			11.81	300	41.89	19
1-1/2	40	1.50	38	14.49	368	14.49	368	14.49	368	8.03	204			15.75	400	108.02	49
2	50	1.65	42	17.76	451	17.76	451	17.87	454	11.73	298	15.75	400			169.75	77

### Class 2500 Reduced bore ( Floating )

口径		D		d		L						H		W		V		Weight	
in	mm	in	mm	in	mm	RF		BW		RTJ		in	mm	in	mm	in	mm	lb	Kg
1/2*3/8	15*10	0.51	13	0.28	7	10.39	264	10.39	264	10.39	264	3.70	94			6.30	160	19.84	9
3/4*1/2	20*15	0.75	19	0.51	13	10.75	273	10.75	273	10.75	273	4.53	115			7.09	180	26.46	12
1*3/4	25*20	0.98	25	0.75	19	12.13	308	12.13	308	12.13	308	4.65	118			10.43	265	34.17	15.5
1-1/2*1	40*25	1.50	38	0.98	25	14.49	368	14.49	368	14.49	368	6.97	177			11.81	300	92.59	42
2*1-1/2	50*40	1.65	42	1.50	38	17.76	451	17.76	451	17.87	454	8.03	204			15.75	400	152.12	69