



IMPORFERRI
IMPORTADORA FERRETERA INDUSTRIAL

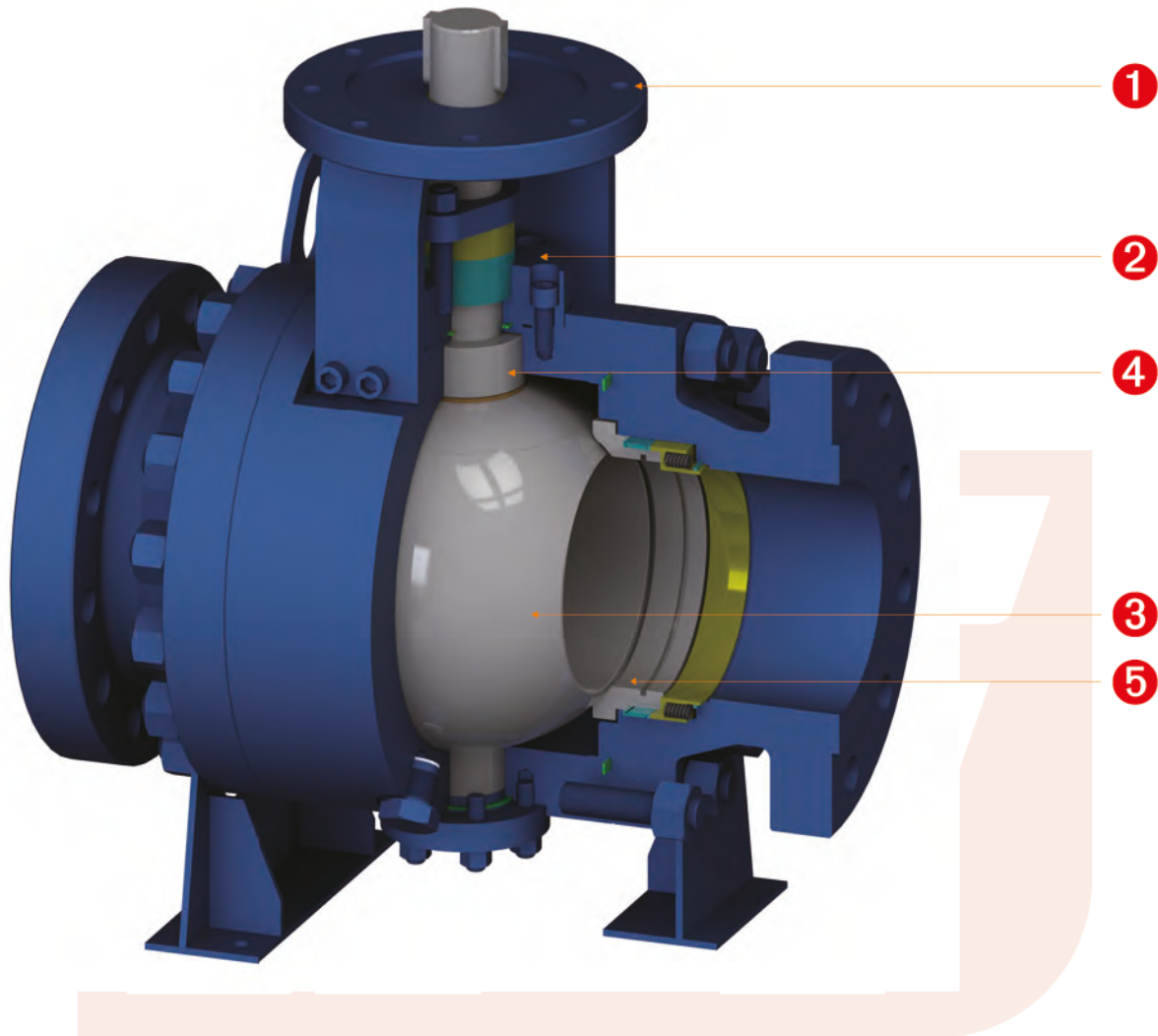
09

**VÁLVULA
BOLA**
TRUNNION





TRUNNION MOUNTED BALL VALVE - VÁLVULA DE BOLA MONTADA SOBRE MUÑÓN



- ❶ Top flange design as per ISO 5211, optional actuators of gearbox, electric actuator and pneumatic actuator are available.
- ❷ Low emission graphite packing design.
- ❸ Hard faced ball and the seat to satisfy the requirement of high hardness, high temperature resistance, wear resistance.
- ❹ With the help of the pre-loaded spring, the seat is able to maintain seal even in low operating pressure.
- ❺ Several designs of the seat to choose from, among which the dust proof seat design is available.


Material List

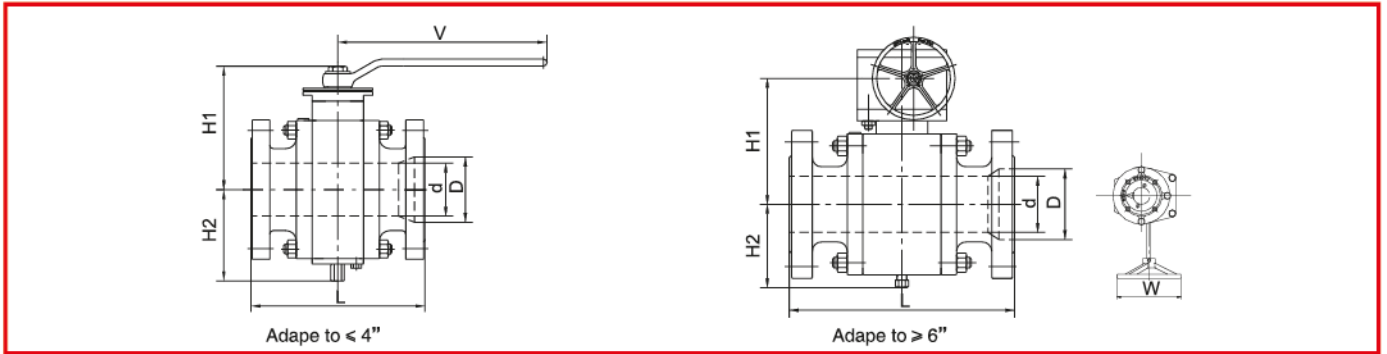
Part	Standard	Sour Service	Stainless Steel	Low Temperature Service
BODY	ASTM A105N	ASTM A105N	ASTM A182 F316	ASTM A350 LF2
BONNET	ASTM A105N	ASTM A105N	ASTM A182 F316	ASTM A350 LF2
BALL	ASTM A182 F316+WC	ASTM A182 F316+WC	ASTM A182 F316+WC	ASTM A182 F316+WC
TRUNNION	ASTM A105N+CrC	ASTM A105N+CrC	17-4PH+CrC	ASTM A350 LF2+CrC
COVER	ASTM A105N	ASTM A105N	ASTM A182 F316	ASTM A350 LF2
STUD	ASTM A193 B7	ASTM A193 B7M	ASTM A193 B8	ASTM A320 L7M
NUT	ASTM A194 2H	ASTM A194 2HM	ASTM A194 8	ASTM A194 7M
BEARING	ASTM A182 F316L-N2	ASTM A182 F316L-N2	ASTM A182 F316L-N2	ASTM A182 F316L-N2
GASKET	316+GRAPHITE	316+GRAPHITE	316+GRAPHITE	316+GRAPHITE
GASKET	316+GRAPHITE	316+GRAPHITE	316+GRAPHITE	316+GRAPHITE
SUPPORT LEGS	ASTM A283 GRD	ASTM A283 GRD	ASTM A283 GRD	ASTM A283 GRD
STUD	ASTM A193 B7	ASTM A193 B7M	ASTM A193 B8	ASTM A320 L7M
NUT	ASTM A194 2H	ASTM A194 2HM	ASTM A194 8	ASTM A194 7M
PLUG	ASTM A182 F316L	ASTM A182 F316L	ASTM A182 F316L	ASTM A182 F316L
GASKET	316+GRAPHITE	316+GRAPHITE	316+GRAPHITE	316+GRAPHITE
STEM	17-4PH	17-4PH	17-4PH	17-4PH
BEARING	ASTM A182 F316L-N2	ASTM A182 F316L-N2	ASTM A182 F316L-N2	ASTM A182 F316L-N2
GASKET	316+GRAPHITE	316+GRAPHITE	316+GRAPHITE	316+GRAPHITE
SCREW	ASTM A193 B7	ASTM A193 B7M	ASTM A193 B8	ASTM A320 L7M
PACKING	GRAPHITE	GRAPHITE	GRAPHITE	GRAPHITE
LIFTING LUGS	ASTM A283 GRD	ASTM A283 GRD	ASTM A283 GRD	ASTM A283 GRD
GLAND	ASTM A182 F304L	ASTM A182 F304L	ASTM A182 F304L	ASTM A182 F304L
GLAND FLANGE	ASTM A216-WCB	ASTM A216-WCB	ASTM A351-CF8	ASTM A352 LCB
STUD	ASTM A193 B7	ASTM A193 B7M	ASTM A193 B8	ASTM A320 L7M
NUT	ASTM A194 2H	ASTM A194 2HM	ASTM A194 8	ASTM A194 7M
TOP FLANGE	ASTM A105N	ASTM A105N	ASTM A105N	ASTM A350 LF2
BEARING	ASTM A240 316+PTFE	ASTM A240 316+PTFE	ASTM A240 316+PTFE	ASTM A240 316+PTFE
KEY	AISI 1045	AISI 1045	ASTM A276-420	ASTM A276 420
STEM PIN	ASTM A276 304	ASTM A276 304	ASTM A276 304	ASTM A276 304
SCREW	AISI 1035	AISI 1035	ASTM A276 304	ASTM A276 304
GRAPHITE RING	316+GRAPHITE	316+GRAPHITE	316+GRAPHITE	316+GRAPHITE
SPRING	INCONEL X-750	INCONEL X-750	INCONEL X-750	INCONEL X-750
SEAT GLAND	ASTM A182 F316	ASTM A182 F316	ASTM A182 F316	ASTM A182 F316
PACKING	GRAPHITE	GRAPHITE	GRAPHITE	GRAPHITE
SEAT	ASTM A182 F316+WC	ASTM A182 F316+WC	ASTM A182 F316+WC	ASTM A182 F316+WC
SLEVER	AISI 4140+CrC	AISI 4140+CrC	17-4PH+CrC	AISI 4140+CrC
THRUST PLATE	ASTM A182 F316L-N2	ASTM A182 F316L-N2	ASTM A182 F316L-N2	ASTM A182 F316L-N2
COVER FLANGE	ASTM A105N	ASTM A105N	ASTM A182 F316	ASTM A350 LF2
ARMOR PLATE	ASTM A283 GRD	ASTM A283 GRD	ASTM A283 GRD	ASTM A283 GRD

✉ ventas@imporferri.com ☎ +593 98 903 6764 📍 Lotización Puertas de Alcalá, Pasaje S/N, Lote 1, La Planicie - San José de Morán, Quito-Ecuador

Aseguramos tu inversión garantizando que tus materiales cumplan con las certificaciones internacionales de calidad. Todos nuestros materiales incluyen certificado de calidad.



Dimension & Weight



Class 150 Full bore-TM

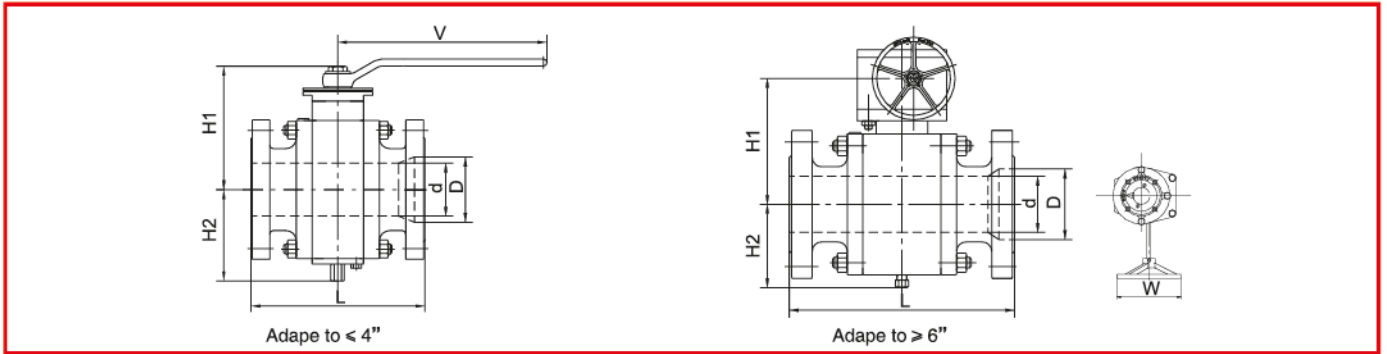
Size		D		L				H1		H2		W		V		Weight	
in	mm	in	mm	RF		BW		in	mm	in	mm	in	mm	in	mm	lb	Kg
2	50	1.93	49	7.01	178	8.50	216	4.25	108	3.54	90			11.22	285	40	18
3	80	2.91	74	7.99	203	11.14	283	11.02	280	4.33	110	11.81	300			66	30
4	100	3.94	100	9.02	229	12.01	305	11.61	295	5.51	140	11.81	300			229	104
6	150	5.91	150	15.51	394	17.99	457	14.41	366	6.89	175	19.69	500			430	195
8	200	7.91	201	17.99	457	20.51	521	20.16	512	7.48	190	23.62	600			866	393
10	250	9.92	252	20.98	533	22.01	559	23.23	590	9.06	230	23.62	600			1113	505
12	300	11.93	303	24.02	610	25.00	635	26.22	666	11.61	295	27.56	700			1598	725
14	350	13.15	334	27.01	686	30.00	762	29.92	760	14.17	360	27.56	700			1984	900
16	400	15.16	385	30.00	762	32.99	838	32.68	830	16.73	425	29.92	760			2756	1250
18	450	17.17	436	34.02	864	35.98	914	36.22	920	18.50	470	29.92	760			4134	1875
20	500	19.17	487	35.98	914	39.02	991	39.49	1003	20.87	530	29.92	760			5181	2350
22	550	21.18	538	39.02	991	39.02	991	41.65	1058	23.43	595	29.92	760			6834	3100
24	600	23.19	589	42.01	1067	45.00	1143	43.90	1115	25.98	660	29.92	760			8609	3905
28	700	26.93	684	49.02	1245	52.99	1346	46.06	1170	28.54	725	29.92	760			12743	5780
30	750	28.94	735	50.98	1295	55.00	1397	48.23	1225	31.69	805	29.92	760			17163	7785
32	800	30.67	779	54.02	1372	60.00	1524	50.79	1290	34.53	877	31.50	800			20205	9165
34	850	32.68	830	57.99	1473	64.02	1626	53.15	1350	36.46	926	31.50	800			23810	10800
36	900	34.41	874	60.00	1524	67.99	1727	55.12	1400	38.39	975	35.43	900			28704	13020
40	1000	38.43	976	67.99	1727	67.99	1727	67.72	1720	40.16	1020	35.43	900			39793	18050

Class 150 Reduced bore -TM

Size		D		d		L				H1		H2		W		V		Weight	
in	mm	in	mm	in	mm	RF		BW		in	mm	in	mm	in	mm	in	mm	lb	Kg
2*1-1/2	50*40	1.93	49	1.50	38	7.01	178	8.50	216	4.13	105	2.95	75			13.78	350	33	15
3*2	80*50	2.91	74	1.93	49	7.99	203	11.14	283	4.25	108	3.54	90			11.22	285	55	25
4*3	100*80	3.94	100	2.91	74	9.02	229	12.01	305	11.02	280	4.33	110	11.81	300			190	86
6*4	150*100	5.91	150	3.94	100	15.51	394	17.99	457	11.61	295	5.51	140	11.81	300			276	125
8*6	200*150	7.91	201	5.91	150	17.99	457	20.51	521	14.41	366	6.89	175	19.69	500			518	235
10*8	250*200	9.92	252	7.91	201	20.98	533	22.01	559	20.16	512	7.48	190	23.62	600			1005	456
12*10	300*250	11.93	303	9.92	252	24.02	610	25.00	635	23.23	590	9.06	230	23.62	600			1323	600
14*12	350*300	13.15	334	11.93	303	27.01	686	30.00	762	26.22	666	11.61	295	27.56	700			1786	810
16*14	400*350	15.16	385	13.15	334	30.00	762	32.99	838	29.92	760	14.17	360	27.56	700			2238	1015
18*16	450*400	17.17	436	15.16	385	34.02	864	35.98	914	32.68	830	16.73	425	29.92	760			2976	1350
20*18	500*450	19.17	487	17.17	436	35.98	914	39.02	991	36.22	920	18.50	470	29.92	760			4378	1986
22*20	550*500	21.18	538	19.17	487	39.02	991	39.02	991	39.49	1003	20.87	530	29.92	760			6173	2800
24*20	600*500	23.19	589	19.17	487	42.01	1067	45.00	1143	41.65	1058	23.43	595	29.92	760			7857	3564
28*24	700*600	26.93	684	23.19	589	49.02	1245	52.99	1346	43.90	1115	25.98	660	29.92	760			9535	4325
30*28	750*700	28.94	735	26.93	684	50.98	1295	55.00	1397	46.06	1170	28.54	725	29.92	760			14237	6458
32*30	800*750	30.67	779	28.94	735	54.02	1372	60.00	1524	48.23	1225	31.69	805	29.92	760			18569	8423
34*32	850*800	32.68	830	30.67	779	57.99	1473	64.02	1626	50.79	1290	34.53	877	31.50	800			21715	9850
36*32	900*800	34.41	874	30.67	779	60.00	1524	67.99	1727	53.15	1350	36.46	926	31.50	800			26786	12150
40*36	1000*900	38.43	976	34.41	874	73.03	1855	82.01	2083	57.48	1460	38.82	986	35.43	900			31415	14250

✉ ventas@imporferri.com ☎ +593 98 903 6764 📍 Lotización Puertas de Alcalá, Pasaje S/N, Lote 1, La Planicie - San José de Morán, Quito-Ecuador

Aseguramos tu inversión garantizando que tus materiales cumplan con las certificaciones internacionales de calidad. Todos nuestros materiales incluyen certificado de calidad.



Class 300 Full bore - TM

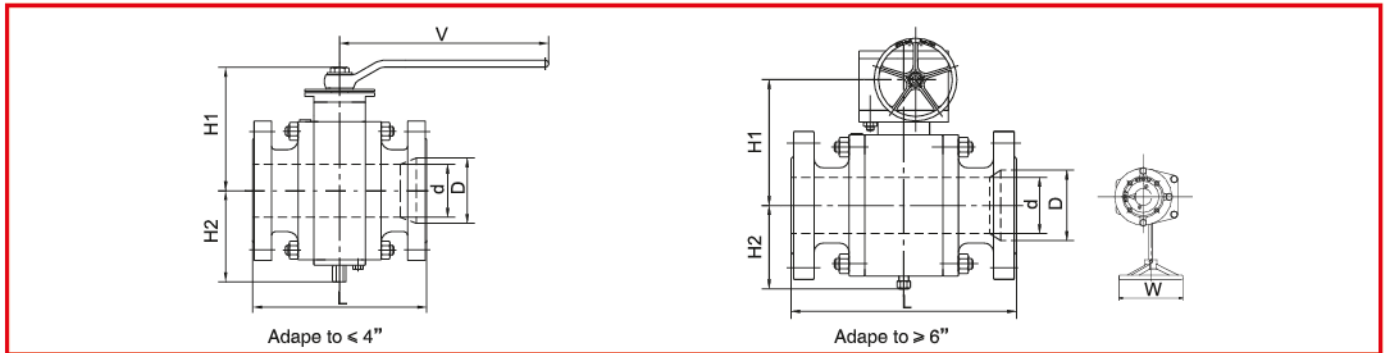
Size		D		L				H1		H2		W		V		Weight	
in	mm	in	mm	RF		BW		in	mm	in	mm	in	mm	in	mm	lb	Kg
2	50	1.93	49	8.50	216	8.50	216	4.23	107.5	3.54	90			11.22	285	51	23
3	80	2.91	74	11.14	283	11.14	283	11.02	280	4.33	110	11.81	300			77	35
4	100	3.94	100	12.01	305	12.01	305	12.05	306	5.51	140	19.69	500			229	104
6	150	5.91	150	15.87	403	15.87	403	14.41	366	6.89	175	19.69	500			474	215
8	200	7.91	201	19.76	502	20.51	521	21.69	551	7.48	190	27.56	700			853	387
10	250	9.92	252	22.36	568	22.01	559	24.57	624	9.84	250	27.56	700			1411	640
12	300	11.93	303	25.51	648	25.00	635	27.60	701	12.44	316	29.92	760			1900	862
14	350	13.15	334	30.00	762	30.00	762	30.94	786	15.67	398	29.92	760			2976	1350
16	400	15.16	385	32.99	838	32.99	838	33.46	850	19.29	490	29.92	760			3439	1560
18	450	17.17	436	35.98	914	35.98	914	35.83	910	19.69	500	31.50	800			4643	2106
20	500	19.17	487	39.02	991	39.02	991	37.01	940	20.87	530	31.50	800			6173	2800
22	550	21.18	538	42.99	1092	42.99	1092	39.84	1012	23.11	587	31.50	800			7500	3402
24	600	23.19	589	45.00	1143	45.00	1143	42.52	1080	25.00	635	31.50	800			9259	4200
28	700	26.93	684	52.99	1346	52.99	1346	49.21	1250	31.10	790	31.50	800			13889	6300
30	750	28.94	735	55.00	1397	55.00	1397	51.97	1320	33.70	856	35.43	900			18827	8540
32	800	30.67	779	60.00	1524	60.00	1524	55.12	1400	36.22	920	35.43	900			22343	10135
34	850	32.68	830	64.02	1626	64.02	1626	59.69	1516	37.20	945	39.37	1000			24802	11250
36	900	34.41	874	67.99	1727	67.99	1727	64.06	1627	38.78	985	39.37	1000			31305	14200
40	1000	38.43	976	75.98	1930	75.98	1930	67.91	1725	40.47	1028	39.37	1000			42989	19500

Class 300 Reduced bore-TM

Size		D		d		L				H1		H2		W		V		Weight	
in	mm	in	mm	in	mm	RF		BW		in	mm	in	mm	in	mm	in	mm	lb	Kg
2*1-1/2	50*40	1.93	49	1.50	38	8.50	216	8.50	216	4.13	105	2.95	75			9.84	250	42	19
3*2	80*50	2.91	74	1.93	49	11.14	283	11.14	283	4.23	107.5	3.54	90			11.22	285	68	31
4*3	100*80	3.94	100	2.91	74	12.01	305	12.01	305	11.02	280	4.33	110	11.81	300			190	86
6*4	150*100	5.91	150	3.94	100	15.87	403	15.87	403	12.05	306	5.51	140	19.69	500			357	162
8*6	200*150	7.91	201	5.91	150	19.76	502	20.51	521	14.41	366	6.89	175	19.69	500			584	265
10*8	250*200	9.92	252	7.91	201	22.36	568	22.01	559	21.69	551	7.48	190	27.56	700			939	426
12*10	300*250	11.93	303	9.92	252	25.51	648	25.00	635	24.57	624	9.84	250	27.56	700			1499	680
14*12	350*300	13.15	334	11.93	303	30.00	762	30.00	762	27.60	701	12.44	316	29.92	760			2017	915
16*14	400*350	15.16	385	13.15	334	32.99	838	32.99	838	30.94	786	15.67	398	29.92	760			3100	1406
18*16	450*400	17.17	436	15.16	385	35.98	914	35.98	914	33.46	850	19.29	490	29.92	760			3642	1652
20*18	500*450	19.17	487	17.17	436	39.02	991	39.02	991	35.83	910	19.69	500	31.50	800			4859	2204
22*20	550*500	21.18	538	19.17	487	42.99	1092	42.99	1092	37.01	940	20.87	530	31.50	800			6504	2950
24*20	600*500	23.19	589	19.17	487	45.00	1143	45.00	1143	39.84	1012	23.11	587	31.50	800			8029	3642
28*24	700*600	26.93	684	23.19	589	52.99	1346	52.99	1346	42.52	1080	25.00	635	31.50	800			9614	4361
30*28	750*700	28.94	735	26.93	684	55.00	1397	55.00	1397	49.21	1250	31.10	790	31.50	800			14356	6512
32*30	800*750	30.67	779	28.94	735	60.00	1524	60.00	1524	51.97	1320	33.70	856	35.43	900			19894	9024
34*32	850*800	32.68	830	30.67	779	64.02	1626	64.02	1626	55.12	1400	36.22	920	35.43	900			24140	10950
36*32	900*800	34.41	874	30.67	779	67.99	1727	67.99	1727	59.69	1516	37.20	945	39.37	1000			26550	12043
40*36	1000*900	38.43	976	34.41	874	75.98	1930	75.98	1930	64.06	1627	38.78	985	39.37	1000			33216	15067

✉ ventas@imporferri.com ☎ +593 98 903 6764 📍 Lotización Puertas de Alcalá, Pasaje S/N, Lote 1, La Planicie - San José de Morán, Quito-Ecuador

Aseguramos tu inversión garantizando que tus materiales cumplan con las certificaciones internacionales de calidad. Todos nuestros materiales incluyen certificado de calidad.



Class 400 Full bore-TM

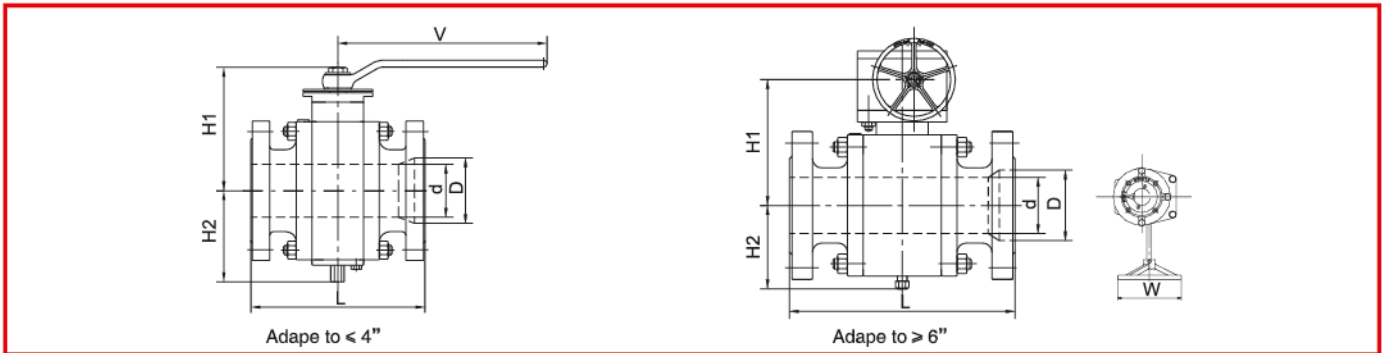
Size		D		L						H1		H2		W		V		Weight	
				RF		BW		RTJ											
in	mm	in	mm	in	mm	in	mm	in	mm	in	mm	in	mm	in	mm	in	mm	lb	Kg
2	50	1.93	49	11.50	292	11.50	292	11.61	295	10.43	265	6.42	163	15.75	400			106	48
3	80	2.91	74	14.02	356	14.02	356	14.13	359	10.83	275	7.05	179	15.75	400			198	90
4	100	3.94	100	15.98	406	15.98	406	17.13	435	12.40	315	8.62	219	23.62	600			276	125
6	150	5.91	150	19.49	495	19.49	495	19.61	498	22.05	560	8.19	208	23.62	600			816	370
8	200	7.91	201	23.50	597	23.50	597	23.62	600	27.17	690	9.65	245	23.62	600			1499	680
10	250	9.92	252	26.50	673	26.50	673	26.61	676	24.92	633	12.05	306	23.62	600			2271	1030
12	300	11.93	303	30.00	762	30.00	762	30.12	765	26.18	665	13.74	349	29.92	760			2976	1350
14	350	13.15	334	32.52	826	32.52	826	32.64	829	24.37	619	15.75	400	27.56	700			4078	1850
16	400	15.16	385	35.51	902	35.51	902	35.63	905	29.06	738	17.72	450	29.92	760			4740	2150
18	450	17.17	436	38.50	978	38.50	978	38.62	981	30.83	783	19.76	502	35.43	900			6250	2835
20	500	19.17	487	41.50	1054	41.50	1054	41.73	1060	33.39	848	22.28	566	35.43	900			8025	3640
22	550	21.18	538	45.00	1143	45.00	1143	45.39	1153	37.56	954	23.31	592	39.37	1000			11728	5320
24	600	23.19	589	48.50	1232	48.50	1232	48.86	1241	40.04	1017	25.63	651	39.37	1000			15829	7180
28	700	26.93	684	55.00	1397	55.00	1397	55.51	1410	41.65	1058	27.83	707	39.37	1000			21032	9540
30	750	28.94	735	60.00	1524	60.00	1524	60.51	1537	44.69	1135	29.53	750	39.37	1000			23192	10520
32	800	30.67	779	65.00	1651	65.00	1651	65.63	1667	48.70	1237	30.94	786	43.54	1106			24802	11250
34	850	32.68	830	70.00	1778	70.00	1778	70.63	1794	51.34	1304	32.52	826	43.54	1106			28307	12840
36	900	34.41	874	74.02	1880	74.02	1880	73.82	1875	56.81	1443	35.51	902	43.54	1106			32518	14750
40	1000	38.43	976	85.43	2170	85.43	2170	85.43	2170	60.43	1535	38.86	987	43.54	1106			41226	18700

Class 400 Reduced bore -TM

Size		D		d		L						H1		H2		W		V		Weight	
						RF		BW		RTJ											
in	mm	in	mm	in	mm	in	mm	in	mm	in	mm	in	mm	in	mm	in	mm	in	mm	lb	Kg
2"1-1/2	50*40	1.93	49	1.50	38	11.50	292	11.50	292	11.61	295	8.11	206	5.71	145	15.75	400			88	40
3"	80*50	2.91	74	1.93	49	14.02	356	14.02	356	14.13	359	10.43	265	6.42	163	15.75	400			168	76
4*3	100*80	3.94	100	2.91	74	15.98	406	15.98	406	17.13	435	10.83	275	7.05	179	15.75	400			231	105
6*4	150*100	5.91	150	3.94	100	19.49	495	19.49	495	19.61	498	12.40	315	8.62	219	23.62	600			617	280
8*6	200*150	7.91	201	5.91	150	23.50	597	23.50	597	23.62	600	22.05	560	8.19	208	23.62	600			1235	560
10*8	250*200	9.92	252	7.91	201	26.50	673	26.50	673	26.61	676	27.17	690	9.65	245	23.62	600			1653	750
12*10	300*250	11.93	303	9.92	252	30.00	762	30.00	762	30.12	765	24.92	633	12.05	306	23.62	600			2315	1050
14*12	350*300	13.15	334	11.93	303	32.52	826	32.52	826	32.64	829	26.18	665	13.74	349	29.92	760			3483	1580
16*14	400*350	15.16	385	13.15	334	35.51	902	35.51	902	35.63	905	24.37	619	15.75	400	27.56	700			4431	2010
18*16	450*400	17.17	436	15.16	385	38.50	978	38.50	978	38.62	981	29.06	738	17.72	450	29.92	760			5401	2450
20*18	500*450	19.17	487	17.17	436	41.50	1054	41.50	1054	41.73	1060	30.83	783	19.76	502	35.43	900			6702	3040
22*20	550*500	21.18	538	19.17	487	45.00	1143	45.00	1143	45.39	1153	33.39	848	22.28	566	35.43	900			10053	4560
24*20	600*500	23.19	589	19.17	487	48.50	1232	48.50	1232	48.86	1241	37.56	954	23.31	592	39.37	1000			13999	6350
28*24	700*600	26.93	684	23.19	589	55.00	1397	55.00	1397	55.51	1410	40.04	1017	25.63	651	39.37	1000			17670	8015
30*28	750*700	28.94	735	26.93	684	60.00	1524	60.00	1524	60.51	1537	41.65	1058	27.83	707	39.37	1000			22156	10050
32*30	800*750	30.67	779	28.94	735	65.00	1651	65.00	1651	65.63	1667	44.69	1135	29.53	750	39.37	1000			22222	10080
34*32	850*800	32.68	830	30.67	779	70.00	1778	70.00	1778	70.63	1794	48.70	1237	30.94	786	43.54	1106			24295	11020
36*32	900*800	34.41	874	30.67	779	74.02	1880	74.02	1880	73.82	1875	51.34	1304	32.52	826	43.54	1106			27337	12400
40*36	1000*900	38.43	976	34.41	874	85.43	2170	85.43	2170	85.43	2170	56.81	1443	35.51	902	43.54	1106			36486	16550

✉ ventas@imporferri.com ☎ +593 98 903 6764 📍 Lotización Puertas de Alcalá, Pasaje S/N, Lote 1, La Planicie - San José de Morán, Quito-Ecuador

Aseguramos tu inversión garantizando que tus materiales cumplan con las certificaciones internacionales de calidad. Todos nuestros materiales incluyen certificado de calidad.



Class 600 Full bore-TM

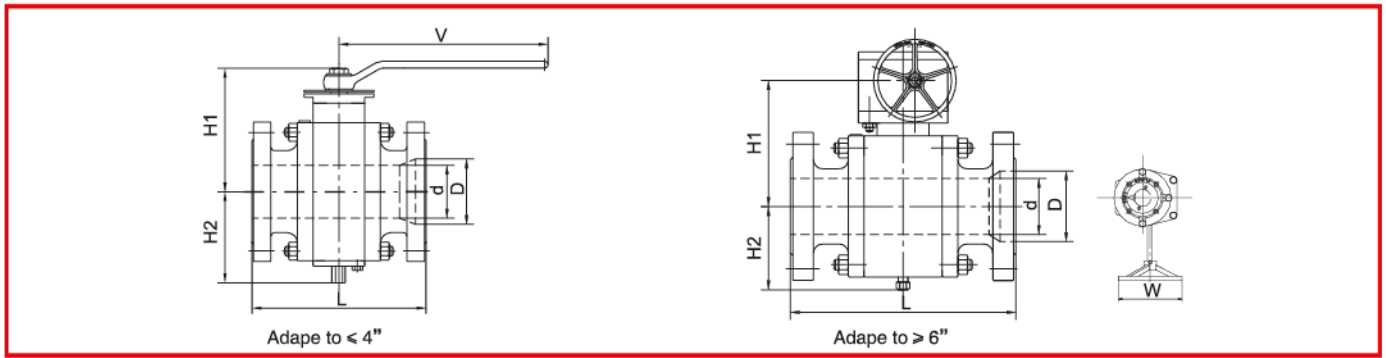
Size		D		L						H1		H2		W		V		Weight	
in	mm	in	mm	RF		BW		RTJ		in	mm	in	mm	in	mm	in	mm	lb	Kg
2	50	1.93	49	11.50	292	11.50	292	11.61	295	10.43	265	6.42	163	15.75	400			106	48
3	80	2.91	74	14.02	356	14.02	356	14.13	359	10.83	275	7.05	179	15.75	400			198	90
4	100	3.94	100	17.01	432	17.01	432	17.13	435	12.40	315	8.62	219	23.62	600			331	150
6	150	5.91	150	22.01	559	22.01	559	22.13	562	22.05	560	8.19	208	23.62	600			970	440
8	200	7.91	201	25.98	660	25.98	660	26.14	664	27.17	690	9.65	245	23.62	600			1786	810
10	250	9.92	252	30.98	787	30.98	787	31.14	791	24.92	633	12.05	306	23.62	600			2723	1235
12	300	11.93	303	32.99	838	32.99	838	33.11	841	26.18	665	13.74	349	29.92	760			3571	1620
14	350	13.15	334	35.00	889	35.00	889	35.12	892	24.37	619	15.75	400	29.92	760			4486	2035
16	400	15.16	385	39.02	991	39.02	991	39.17	995	29.06	738	17.72	450	29.92	760			5688	2580
18	450	17.17	436	42.99	1092	42.99	1092	43.11	1095	30.83	783	19.76	502	35.43	900			7496	3400
20	500	19.17	487	47.01	1194	47.01	1194	47.24	1200	33.39	848	22.28	566	35.43	900			9612	4360
22	550	21.18	538	50.98	1295	50.98	1295	51.38	1305	37.56	954	23.31	592	39.37	1000			14065	6380
24	600	23.19	589	55.00	1397	55.00	1397	55.39	1407	40.04	1017	25.63	651	39.37	1000			18959	8600
28	700	26.93	684	60.98	1549	60.98	1549	61.50	1562	41.65	1058	27.83	707	39.37	1000			25000	11340
30	750	28.94	735	65.00	1651	65.00	1651	65.51	1664	44.69	1135	29.53	750	39.37	1000			27822	12620
32	800	30.67	779	70.00	1778	70.00	1778	70.63	1794	48.70	1237	30.94	786	43.54	1106			29762	13500
34	850	32.68	830	75.98	1930	75.98	1930	76.61	1946	51.34	1304	32.52	826	43.54	1106			33951	15400
36	900	34.41	874	82.01	2083	82.01	2083	82.56	2097	56.81	1443	35.51	902	43.54	1106			39021	17700
40	1000	38.43	976	85.43	2170	85.43	2170	85.43	2170	60.43	1535	38.86	987	43.54	1106			49383	22400

Class 600 Reduced bore -TM

Size		D		d		L						H1		H2		W		V		Weight	
in	mm	in	mm	in	mm	RF		BW		RTJ		in	mm	in	mm	in	mm	in	mm	lb	Kg
2"1-1/2	50*40	1.93	49	1.50	38	11.50	292	11.50	292	11.61	295	8.11	206	5.71	145	11.81	300			88	40
3*2	80*50	2.91	74	1.93	49	14.02	356	14.02	356	14.13	359	10.43	265	6.42	163	15.75	400			168	76
4*3	100*80	3.94	100	2.91	74	17.01	432	17.01	432	17.13	435	10.83	275	7.05	179	15.75	400			231	105
6*4	150*100	5.91	150	3.94	100	22.01	559	22.01	559	22.13	562	12.40	315	8.62	219	23.62	600			741	336
8*6	200*150	7.91	201	5.91	150	25.98	660	25.98	660	26.14	664	22.05	560	8.19	208	23.62	600			1477	670
10*8	250*200	9.92	252	7.91	201	30.98	787	30.98	787	31.14	791	27.17	690	9.65	245	23.62	600			1984	900
12*10	300*250	11.93	303	9.92	252	32.99	838	32.99	838	33.11	841	24.92	633	12.05	306	23.62	600			2778	1260
14*12	350*300	13.15	334	11.93	303	35.00	889	35.00	889	35.12	892	26.18	665	13.74	349	29.92	760			4167	1890
16*14	400*350	15.16	385	13.15	334	39.02	991	39.02	991	39.17	995	24.37	619	15.75	400	29.92	760			5313	2410
18*16	450*400	17.17	436	15.16	385	42.99	1092	42.99	1092	43.11	1095	29.06	738	17.72	450	29.92	760			6481	2940
20*18	500*450	19.17	487	17.17	436	47.01	1194	47.01	1194	47.24	1200	30.83	783	19.76	502	35.43	900			8025	3640
22*20	550*500	21.18	538	19.17	487	50.98	1295	50.98	1295	51.38	1305	33.39	848	22.28	566	35.43	900			12059	5470
24*20	600*500	23.19	589	19.17	487	55.00	1397	55.00	1397	55.39	1407	37.56	954	23.31	592	39.37	1000			16799	7620
28*24	700*600	26.93	684	23.19	589	60.98	1549	60.98	1549	61.50	1562	40.04	1017	25.63	651	39.37	1000			21164	9600
30*28	750*700	28.94	735	26.93	684	65.00	1651	65.00	1651	65.51	1664	41.65	1058	27.83	707	39.37	1000			26587	12060
32*30	800*750	30.67	779	28.94	735	70.00	1778	70.00	1778	70.63	1794	44.69	1135	29.53	750	39.37	1000			26653	12090
34*32	850*800	32.68	830	30.67	779	75.98	1930	75.98	1930	76.61	1946	48.70	1237	30.94	786	43.54	1106			29145	13220
36*32	900*800	34.41	874	30.67	779	82.01	2083	82.01	2083	82.56	2097	51.34	1304	32.52	826	43.54	1106			32804	14880
40*36	1000*900	38.43	976	34.41	874	85.43	2170	85.43	2170	85.43	2170	56.81	1443	35.51	902	43.54	1106			40873	18540

✉ ventas@imporferri.com ☎ +593 98 903 6764 📍 Lotización Puertas de Alcalá, Pasaje S/N, Lote 1, La Planicie - San José de Morán, Quito-Ecuador

Aseguramos tu inversión garantizando que tus materiales cumplan con las certificaciones internacionales de calidad. Todos nuestros materiales incluyen certificado de calidad.



Class 900 Full bore-TM

Size		D		L						H1		H2		W		V		Weight	
				RF		BW		RTJ											
in	mm	in	mm	in	mm	in	mm	in	mm	in	mm	in	mm	in	mm	in	mm	lb	Kg
2	50	1.93	49	14.49	368	14.49	368	14.61	371	12.20	310	4.53	115	19.69	500			220	100
3	80	2.91	74	15.00	381	15.00	381	15.12	384	11.10	282	4.69	119	15.75	400			331	150
4	100	3.94	100	17.99	457	17.99	457	18.11	460	15.75	400	7.87	200	23.62	600			485	220
6	150	5.91	150	24.02	610	24.02	610	24.13	613	18.98	482	8.78	223	29.92	760			1168	530
8	200	7.91	201	29.02	737	29.02	737	29.13	740	19.76	502	12.87	327	29.92	760			1351	613
10	250	9.92	252	32.99	838	32.99	838	33.11	841	20.83	529	14.69	373	31.50	800			2394	1086
12	300	11.93	303	37.99	965	37.99	965	38.11	968	36.81	935	13.15	334	35.43	900			6085	2760
14	350	12.68	322	40.51	1029	40.51	1029	40.87	1038	37.99	965	13.78	350	39.37	1000			6834	3100
16	400	14.69	373	44.49	1130	44.49	1130	44.88	1140	44.09	1120	18.90	480	39.37	1000			11376	5160
18	450	16.65	423	47.99	1219	47.99	1219	48.50	1232	46.54	1182	20.71	526	43.54	1106			16182	7340
20	500	18.54	471	52.01	1321	52.01	1321	52.52	1334	49.45	1256	22.80	579	43.54	1106			19892	9023

Class 900 Reduced bore -TM

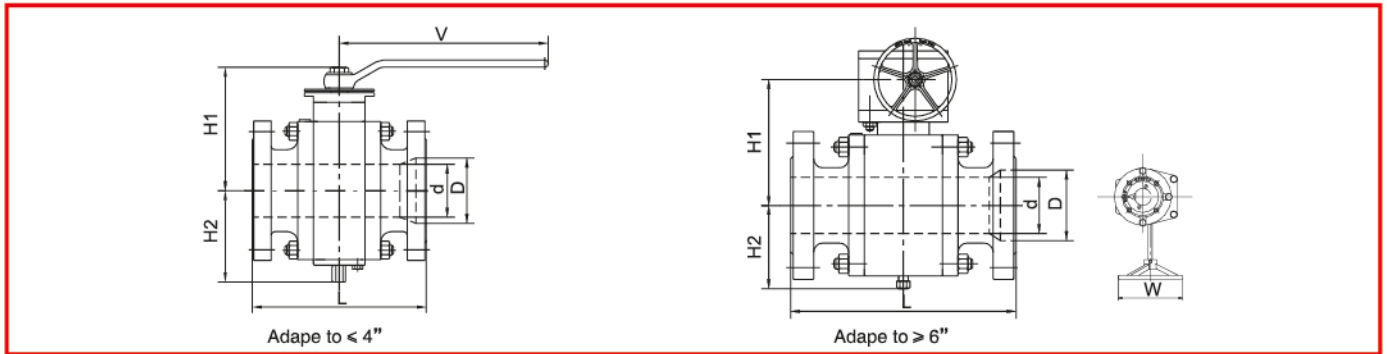
Size		D		d		L						H1		H2		W		V		Weight	
						RF		BW		RTJ											
in	mm	in	mm	in	mm	in	mm	in	mm	in	mm	in	mm	in	mm	in	mm	in	mm	lb	Kg
2*1-1/2	50*40	1.93	49	1.50	38	14.49	368	14.49	368	14.61	371	8.54	217	4.69	119	15.75	400			157	71
3*2	80*50	2.91	74	1.93	49	15.00	381	15.00	381	15.12	384	12.20	310	4.53	115	19.69	500			220	100
4*3	100*80	3.94	100	2.91	74	17.99	457	17.99	457	18.11	460	11.10	282	4.69	119	15.75	400			331	150
6*4	150*100	5.91	150	3.94	100	24.02	610	24.02	610	24.13	613	15.75	400	7.87	200	23.62	600			485	220
8*6	200*150	7.91	201	5.91	150	29.02	737	29.02	737	29.13	740	18.98	482	8.78	223	29.92	760			1168	530
10*8	250*200	9.92	252	7.91	201	32.99	838	32.99	838	33.11	841	19.76	502	12.87	327	29.92	760			1351	613
12*10	300*250	11.93	303	9.92	252	37.99	965	37.99	965	38.11	968	20.83	529	14.69	373	31.50	800			2394	1086
14*12	350*300	12.68	322	11.93	303	40.51	1029	40.51	1029	40.87	1038	36.81	935	13.15	334	35.43	900			6085	2760
16*14	400*350	14.69	373	12.68	322	44.49	1130	44.49	1130	44.88	1140	37.99	965	13.78	350	39.37	1000			6834	3100
18*16	450*400	16.65	423	14.69	373	47.99	1219	47.99	1219	48.50	1232	44.09	1120	18.90	480	39.37	1000			11376	5160
20*18	500*450	18.54	471	16.65	423	52.01	1321	52.01	1321	52.52	1334	46.54	1182	20.71	526	43.54	1106			16182	7340

Class 1500 Full bore-TM

Size		D		L						H1		H2		W		V		Weight	
				RF		BW		RTJ											
in	mm	in	mm	in	mm	in	mm	in	mm	in	mm	in	mm	in	mm	in	mm	lb	Kg
2	50	1.93	49	14.49	368	14.49	368	14.61	371	12.20	310	4.92	125	19.69	500			271	123
3	80	2.91	74	18.50	470	18.50	470	18.62	473	14.17	360	6.69	170	23.62	600			516	234
4	100	3.94	100	21.50	546	21.50	546	21.61	549	16.93	430	7.09	180	23.62	600			902	409
6	150	5.67	144	27.76	705	27.76	705	27.99	711	21.46	545	12.28	312	29.92	760			1984	900
8	200	7.56	192	32.76	832	32.76	832	33.11	841	27.17	690	15.75	400	29.92	760			2873	1303
10	250	9.41	239	39.02	991	39.02	991	39.37	1000	29.13	740	19.13	486	29.92	760			5538	2512
12	300	11.30	287	44.49	1130	44.49	1130	45.12	1146	31.10	790	21.10	536	29.92	760			7275	3300
14	350	12.40	315	49.49	1257	49.49	1257	50.24	1276	33.58	853	23.27	591	35.43	900			8466	3840
16	400	14.17	360	54.49	1384	54.49	1384	55.39	1407	35.91	912	24.41	620	35.43	900			9524	4320
18	450	15.98	406	60.51	1537	60.51	1537	61.38	1559	37.40	950	26.97	685	39.37	1000			10935	4960
20	500	17.87	454	65.51	1664	65.51	1664	66.38	1686	38.58	980	27.56	700	39.37	1000			12125	5500

✉ ventas@imporferri.com ☎ +593 98 903 6764 📍 Lotización Puertas de Alcalá, Pasaje S/N, Lote 1, La Planicie - San José de Morán, Quito-Ecuador

Aseguramos tu inversión garantizando que tus materiales cumplan con las certificaciones internacionales de calidad. Todos nuestros materiales incluyen certificado de calidad.



Class 1500 Reduced bore -TM

Size		D		d		L						H1		H2		W		V		Weight	
in	mm	in	mm	in	mm	RF		BW		RTJ		in	mm	in	mm	in	mm	in	mm	lb	Kg
2*1-1/2	50*40	1.93	49	1.50	38	14.49	368	14.49	368	14.61	371	12.20	310	4.92	125	19.69	500			245	111
3*2	80*50	2.91	74	1.93	49	18.50	470	18.50	470	18.62	473	14.17	360	6.69	170	23.62	600			485	220
4*3	100*80	3.94	100	2.91	74	21.50	546	21.50	546	21.61	549	16.93	430	7.09	180	23.62	600			714	324
6*4	150*100	5.67	144	3.94	100	27.76	705	27.76	705	27.99	711	21.46	545	12.28	312	29.92	760			1814	823
8*6	200*150	7.56	192	5.67	144	32.76	832	32.76	832	33.11	841	27.17	690	15.75	400	29.92	760			2873	1303
10*8	250*200	9.41	239	7.56	192	39.02	991	39.02	991	39.37	1000	29.13	740	19.13	486	29.92	760			4630	2100
12*10	300*250	11.30	287	9.41	239	44.49	1130	44.49	1130	45.12	1146	31.10	790	21.10	536	29.92	760			6426	2915
14*12	350*300	12.40	315	11.30	287	49.49	1257	49.49	1257	50.24	1276	33.58	853	23.27	591	35.43	900			7551	3425
16*14	400*350	14.17	360	12.40	315	54.49	1384	54.49	1384	55.39	1407	35.91	912	24.41	620	35.43	900			8873	4025
18*16	450*400	15.98	406	14.17	360	60.51	1537	60.51	1537	61.38	1559	37.40	950	26.97	685	39.37	1000			10194	4624
20*18	500*450	17.87	454	15.98	406	65.51	1664	65.51	1664	66.38	1686	38.58	980	27.56	700	39.37	1000			11023	5000

Class 2500 Full bore-TM

Size		D		L						H1		H2		W		V		Weight			
in	mm	in	mm	RF		BW		RTJ		in	mm	in	mm	in	mm	in	mm	in	mm	lb	Kg
2	50	1.65	42	17.76	451	17.76	451	17.87	454	13.88	352.5	6.30	160	19.69	500					503	228
3	80	2.44	62	22.76	578	22.76	578	22.99	584	14.65	372	7.09	180	23.62	600					836	379
4	100	3.43	87	26.50	673	26.50	673	26.89	683	19.45	494	8.27	210	23.62	600					1248	566
6	150	5.16	131	35.98	914	35.98	914	36.50	927	26.69	678	14.96	380	29.92	760					2403	1090
8	200	7.05	179	40.24	1022	40.24	1022	40.87	1038	35.04	890	19.29	490	29.92	760					6195	2810
10	250	8.78	223	50.00	1270	50.00	1270	50.87	1292	37.64	956	19.76	502	35.43	900					9524	4320
12	300	10.43	265	55.98	1422	55.98	1422	56.89	1445	40.28	1023	22.05	560	39.37	1000					11486	5210

Class 2500 Reduced bore -TM

Size		D		d		L						H1		H2		W		V		Weight	
in	mm	in	mm	in	mm	RF		BW		RTJ		in	mm	in	mm	in	mm	in	mm	lb	Kg
2*1-1/2	50*40	1.65	42	1.50	38	17.76	451	17.76	451	17.87	454	13.88	352.5	6.30	160	19.69	500			452	205
3*2	80*50	2.44	62	1.65	42	22.76	578	22.76	578	22.99	584	14.65	372	7.09	180	23.62	600			683	310
4*3	100*80	3.43	87	2.44	62	26.50	673	26.50	673	26.89	683	19.45	494	8.27	210	23.62	600			948	430
6*4	150*100	5.16	131	3.43	87	35.98	914	35.98	914	36.50	927	26.69	678	14.96	380	29.92	760			1918	870
8*6	200*150	7.05	179	5.16	131	40.24	1022	40.24	1022	40.87	1038	35.04	890	19.29	490	29.92	760			5071	2300
10*8	250*200	8.78	223	7.05	179	50.00	1270	50.00	1270	50.87	1292	37.64	956	19.76	502	35.43	900			8025	3640
12*10	300*250	10.43	265	8.78	223	55.98	1422	55.98	1422	56.89	1445	40.28	1023	22.05	560	39.37	1000			9921	4500